

### Application

The WD-340 is designed to be bolted to the flanged outlet of Greenheck Model USF utility blowers. Maximum velocities not to exceed 2500 fpm (13 m/s).

### Ratings

#### Pressure

2.0 in. wg (0.5 kPa) - differential pressure

#### Velocity

2500 fpm (13 m/s)

#### Temperature

180°F (82°C)

### Construction

	Standard
Frame Material	Galvanized steel
Frame Thickness	18 ga. (1.3mm)
Blade Material	Roll formed aluminum
Blade Thickness	0.032 in. (0.8mm)
Blade Seals	Vinyl
Axle	$\frac{3}{16}$ in. (4.8mm) dia. zinc plated steel pin on blade ends
Axle Bearings	Synthetic
Linkage Material	.064 (1.6mm) aluminum tie bar

### Size Limitations

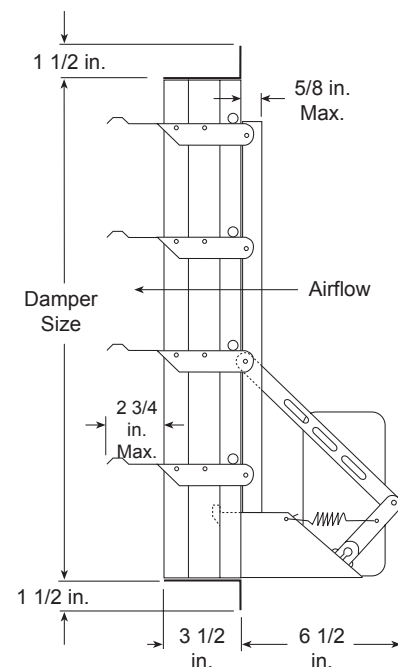
W x H	Minimum Size	Maximum Size
		Single Panel
Inches	6 x 8 $\frac{7}{8}$	31 x 74
mm	152 x 225	787 x 1880

### Options and Accessories

- Motor Packs (24 Vac, 115 Vac, 208/230 Vac, 440 Vac)
- End Switch Kit (Part #851038)



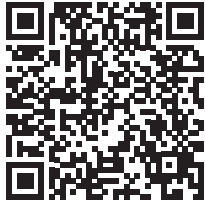
**Note:** W & H dimensions furnished approximately  $\frac{1}{8}$  in. (3mm) undersize. W is always parallel to the damper blades.



## Document Links

---

[Venco Product Catalog](#)



[Warranty](#)

