

Application

The SSNM-30 series is a vertical mounted backdraft damper that is designed to allow horizontal airflow and prevent reverse airflow. The damper is opened by air pressure differential and closed by gravity.

Ratings

Pressure

Up to 2 in. wg (0.5 kPa) - differential pressure

Velocity

Up to 2,500 fpm (13 m/s)

Temperature

180°F (82°C)

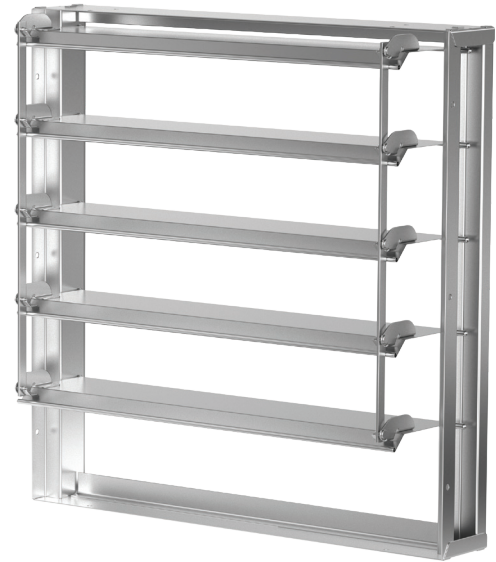
Construction

Construction	Standard
Frame Material	304SS
Frame Thickness	18 ga. (1.3mm)
Blade Material	304SS
Blade Thickness	26 ga. (0.47mm)
Axle	3/16 in. (5mm) metallic
Axle Linkage	1/8 x 1/2 in. (3mm x 13mm) 304SS
Bearings	Synthetic (acetal) sleeve type
Blade Seals	TPE

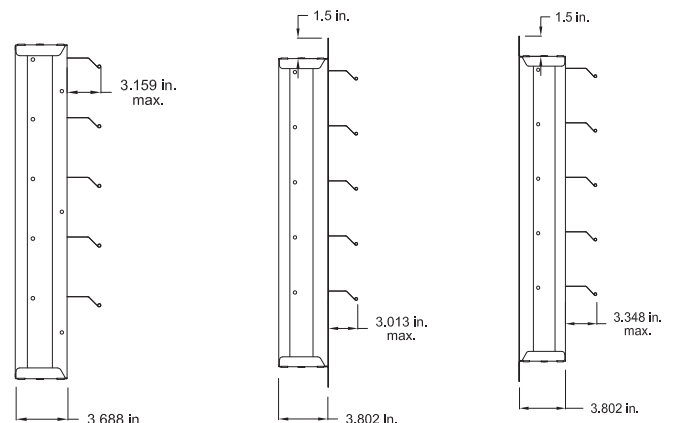
W x H	Minimum Size	Maximum Single Section Size
Inches	6 x 6	24 x 24
mm	152 x 152	610 x 610

Options and Accessories

- 1 1/2 in. (38mm) flange on discharge: SSNM-31
- 1 1/2 in. (38mm) flange on intake: SSNM-32
- Clean Wrap



*W & H dimensions furnished approximately 1/8 in. (3mm) under size.



SSNM-30
No Flange

SSNM-31
Flange On Discharge

SSNM-32
Flange On Intake

Performance Data

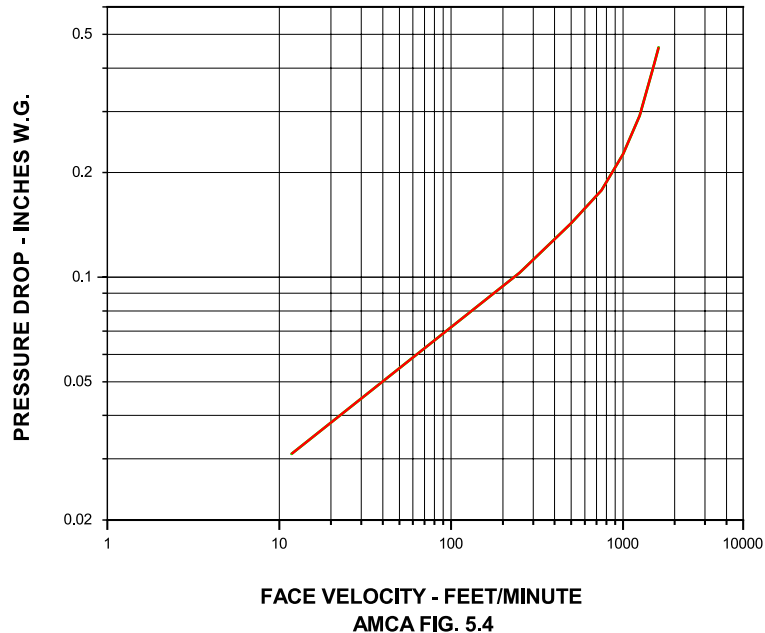
Air Performance

Performance data results from testing a 24 in. x 24 in. damper in accordance with AMCA Standard 500-D using Figure 5.4. All data has been corrected to represent standard air at 0.075 lb/ft³ (1.201 kg/m³).

Pressure Drop

24 in. x 24 in. Damper
(610mm x 610mm)

VELOCITY VS. PRESSURE DROP



Document Links

[Catalog](#)

[Damper Warranty](#)



Specifications

Backdraft dampers meeting the following specifications shall be furnished and installed where shown on plans and/or as described in schedules.

Dampers shall consist of: heavy gauge 304 stainless steel channel frame (18 ga. [1.3mm] thick) with 3 1/8 in. (79mm) depth; blades from 26 ga. (.47mm) 304 stainless steel; 3/4 in. (19mm) dia. 304SS axles turning in acetal bearings; damper shall be equipped with TPE blade seals; and internal 1/8 in. (3mm) 304 stainless steel blade-to-blade linkage. Damper manufacturer's printed application and performance data including pressure, velocity and temperature limitations shall be submitted for approval showing damper suitable for pressures to 2 in. wg (0.5 kPa), velocities to 2500 fpm (13 m/s) and temperatures to 180°F (82°C). Testing and ratings to be in accordance with AMCA Standard 500-D.

Basis of design is model SSNM-30.



Copyright © 2022 Venco Products
SSNM-30 Series, R5, April 2022
Venco Products reserves the right to make
product changes without notice.