



# Model SMD-302

**Smoke Damper**  
**Steel Airfoil Blades**  
**UL 555S Leakage Class II**

## Application

The SMD-302 is a leakage rated smoke damper with airfoil blades for operational closure in emergency smoke control situations. The SMD-302 may be installed vertically (with blades running horizontal) or horizontally and is rated for airflow and leakage in either direction.

## Ratings

**Leakage Class:** II

### Operational Rating

**Maximum Velocity:** 4,000 fpm (20.3 m/s)

**Maximum Pressure:** 8 in. wg (2 kPa)

**Maximum Temperature:** 350°F (177°C)



W and H dimensions furnished approximately 1/4 in. (6mm) undersize. Add sleeve thickness for overall sleeved damper dimension.  
 Right hand is shown. Left hand drive is available.

Construction	Standard	Optional
Frame Material	Galvanized Steel	-
Frame Material Thickness	16 ga. (1.5mm)	-
Frame Type	5 in. x 1 in. (127mm x 25mm) hat channel	-
Blade Material	Galvanized Steel	-
Blade Material Thickness	14 ga. (2mm) Equivalent	-
Blade Type	Double Skin Airfoil	-
Linkage	Plated Steel Out of Airstream, Concealed in Jamb	316SS
Axle Bearings	316SS	-
Axle Material	Plated Steel	316SS
Blade Seals	Silicone	-
Jamb Seals	Stainless Steel	-

Model SMD-302 meets the requirements for smoke dampers established by:  
**National Fire Protection Association**  
 NFPA Standards 90A, 92, 101, & 105  
**International Building Codes (IBC)**

## Size Limitations

W x H	Minimum Size	Maximum Size*	
		Single Section	Multiple Section
Inches	6 x 6	32 x 50	192 x 100
mm	152 x 152	813 x 1270	4877 x 2540

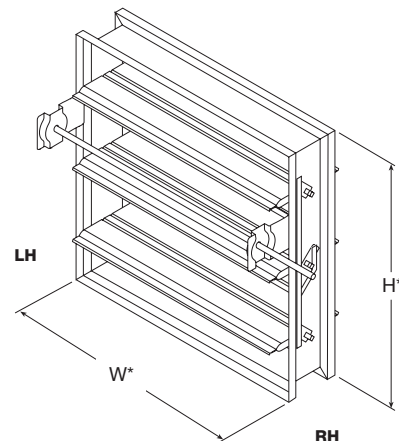
\*Note: Maximum sizes are dependent on velocities and pressures.

## Features

- Frames are constructed with reinforced corners. Low profile head and sill are used on sizes less than 17 in. (432mm) high
- Blades are double skin airfoil shape of galvanized steel with full length structural reinforcement
- Actuators: Electric



See complete marking on product.  
 UL 555S Classification  
 R16690



## Options for SMD-302:

- Factory mounted accessories:
  - Access Doors
  - Quick Connect breakaway connections
- Greenheck Test Switches (GTS-3 and GTS-4)
- Momentary test switch
- POC retaining angles
- OCI (Open Closed Indication Switches)
- Sealed transitions and sleeves
- Security bars
- Smoke detectors
- Transitions: R, C, O

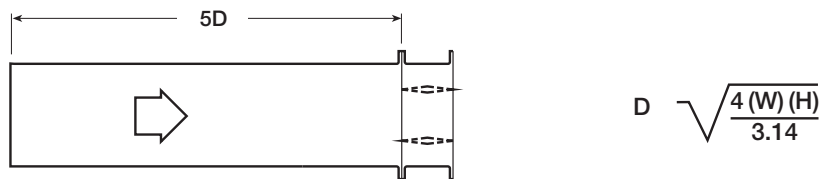
## Pressure Drop

This pressure drop testing was conducted in accordance with AMCA Standard 500-D using the three configurations shown. All data has been corrected to represent standard air at a density of .075 lb/ft<sup>3</sup> (1.2 kg/m<sup>3</sup>).

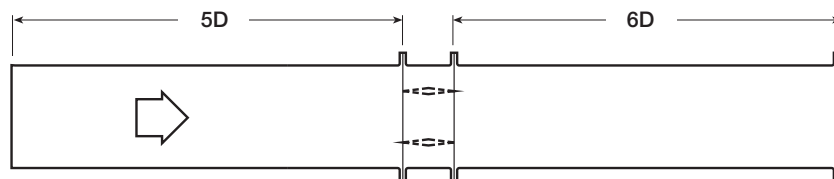
Actual pressure drop found in any HVAC system is a combination of many factors. This pressure drop information along with an analysis of other system influences should be used to estimate actual pressure losses for a damper installed in a given HVAC system.

## AMCA Test Figures

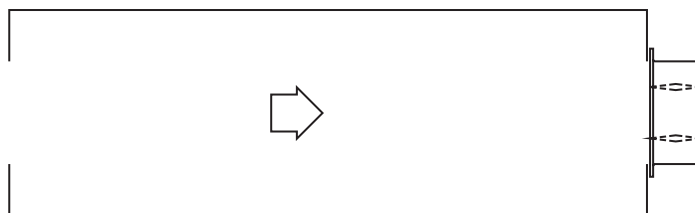
**Figure 5.2** Illustrates a ducted damper exhausting air into an open area. This configuration has a lower pressure drop than Figure 5.5 because entrance losses are minimized by a straight duct run upstream of the damper.



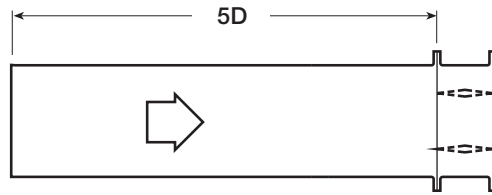
**Figure 5.3** Illustrates a fully ducted damper. This configuration has the lowest pressure drop of the three test configurations because entrance and exit losses are minimized by straight duct runs upstream and downstream of the damper.



**Figure 5.5** Illustrates a plenum mounted damper. This configuration has the highest pressure drop because of extremely high entrance and exit losses due to the sudden changes of area in the system.



### AMCA Figure 5.2



12 in. x 12 in. (305mm x 305mm)

Velocity (fpm)	Pressure Drop (in. wg)
500	0.03
1000	0.11
1500	0.24
2000	0.42
2500	0.66
3000	0.95
3500	1.30
4000	1.70

24 in. x 24 in. (610mm x 610mm)

Velocity (fpm)	Pressure Drop (in. wg)
500	0.01
1000	0.06
1500	0.12
2000	0.22
2500	0.34
3000	0.49
3500	0.67
4000	0.87

36 in. x 36 in. (914mm x 914mm)

Velocity (fpm)	Pressure Drop (in. wg)
500	0.01
1000	0.05
1500	0.12
2000	0.21
2500	0.32
3000	0.47
3500	0.63
4000	0.83

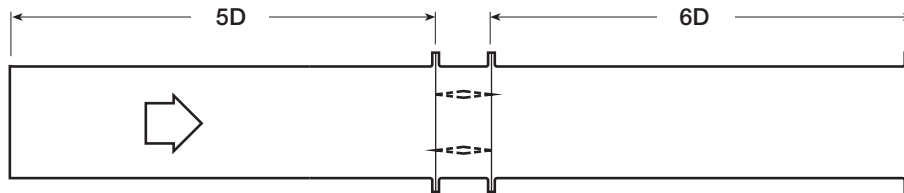
12 in. X 48 in. (305mm x 1219mm)

Velocity (fpm)	Pressure Drop (in. wg)
500	0.01
1000	0.05
1500	0.12
2000	0.21
2500	0.33
3000	0.48
3500	0.65
4000	0.85

48 in. x 12 in. (1219mm x 305mm)

Velocity (fpm)	Pressure Drop (in. wg)
500	0.02
1000	0.08
1500	0.18
2000	0.33
2500	0.51
3000	0.74
3500	1.00
4000	1.31

### AMCA Figure 5.3



12 in. x 12 in. (305mm x 305mm)

Velocity (fpm)	Pressure Drop (in. wg)
500	0.01
1000	0.06
1500	0.13
2000	0.23
2500	0.37
3000	0.53
3500	0.73
4000	0.95

24 in. x 24 in. (610mm x 610mm)

Velocity (fpm)	Pressure Drop (in. wg)
500	0.01
1000	0.02
1500	0.06
2000	0.10
2500	0.16
3000	0.23
3500	0.32
4000	0.42

36 in. x 36 in. (914mm x 914mm)

Velocity (fpm)	Pressure Drop (in. wg)
500	0.01
1000	0.02
1500	0.05
2000	0.09
2500	0.14
3000	0.21
3500	0.29
4000	0.38

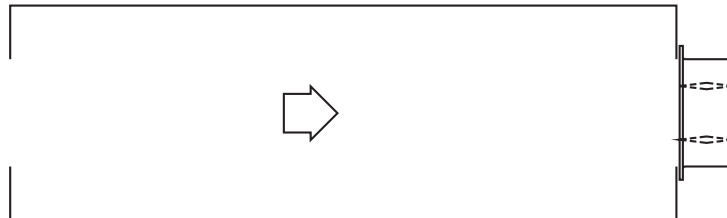
12 in. X 48 in. (305mm x 1219mm)

Velocity (fpm)	Pressure Drop (in. wg)
500	0.01
1000	0.03
1500	0.06
2000	0.11
2500	0.18
3000	0.25
3500	0.34
4000	0.45

48 in. x 12 in. (1219mm x 305mm)

Velocity (fpm)	Pressure Drop (in. wg)
500	0.01
1000	0.04
1500	0.10
2000	0.18
2500	0.29
3000	0.42
3500	0.57
4000	0.74

### AMCA Figure 5.5



12 in. x 12 in. (305mm x 305mm)

Velocity (fpm)	Pressure Drop (in. wg)
500	0.04
1000	0.18
1500	0.42
2000	0.75
2500	1.17
3000	1.68
3500	2.29
4000	2.09

24 in. x 24 in. (610mm x 610mm)

Velocity (fpm)	Pressure Drop (in. wg)
500	0.03
1000	0.13
1500	0.29
2000	0.52
2500	0.81
3000	1.17
3500	1.60
4000	2.14

36 in. x 36 in. (914mm x 914mm)

Velocity (fpm)	Pressure Drop (in. wg)
500	0.03
1000	0.12
1500	0.27
2000	0.48
2500	0.75
3000	1.08
3500	1.48
4000	1.93

12 in. X 48 in. (305mm x 1219mm)

Velocity (fpm)	Pressure Drop (in. wg)
500	0.03
1000	0.12
1500	0.27
2000	0.49
2500	0.77
3000	1.11
3500	1.51
4000	1.97

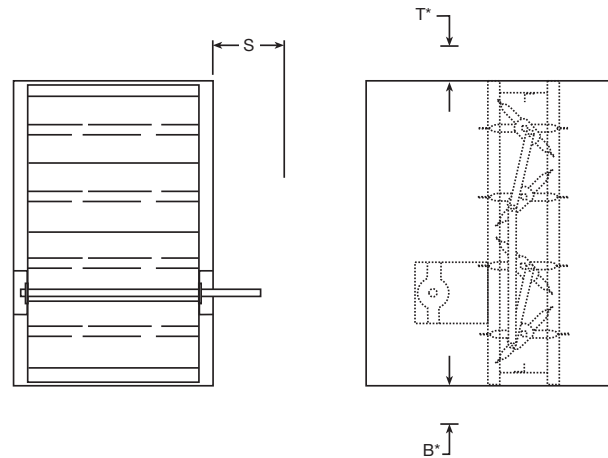
48 in. x 12 in. (1219mm x 305mm)

Velocity (fpm)	Pressure Drop (in. wg)
500	0.03
1000	0.14
1500	0.32
2000	0.57
2500	0.89
3000	1.28
3500	1.75
4000	2.29

## Space Envelopes Required for Actuators and Accessories

Externally mounted actuators always require space outside of the damper sideplate or sleeve. The “S” dimension illustrates the clearance required for various available actuators.

On dampers less than 18 in. (457mm) high, actuators may also require clearances above and/or below the sideplate or sleeve. “B” and “T” dimensions are worst case clearance requirements for some dampers less than 18 in. (457mm) high. All dampers 18 in. (457mm) or more in height, do not require these worst case clearances. If space availability above or below the damper sleeve is limited, each damper size should be individually evaluated.



Actuator Type/Model	B*	T*	S	
	With RRL, RRL/OCI, or TOR	With RRL, RRL/OCI, or TOR	Piggyback	
			No	Yes
<b>120 Volt AC</b>				
FSLF120 (-S) Belimo	7 <sup>1</sup> / <sub>16</sub> in. (195mm)	0	6 in. (152mm)	NA
FSNF120 (-S) Belimo	½ in. (13mm)	9 <sup>3</sup> / <sub>16</sub> in. (249mm)	6 in. (152mm)	9 in. (229mm)
FSTF120 (-S) Belimo	7 <sup>1</sup> / <sub>16</sub> in. (195mm)	0	6 in. (152mm)	NA
MS4X09 Series Honeywell	½ in. (13mm)	8½ in. (216mm)	6 in. (152mm)	NA
MS4120 Series Honeywell	½ in. (13mm)	9 <sup>3</sup> / <sub>16</sub> in. (249mm)	6 in. (152mm)	9 in. (229mm)
<b>24 Volt AC</b>				
FSAF24 (-S) Belimo	½ in. (13mm)	9 <sup>3</sup> / <sub>16</sub> in. (249mm)	6 in. (152mm)	NA
FSTF24 (-S) Belimo	7 <sup>1</sup> / <sub>16</sub> in. (195mm)	½ in. (13mm)	6 in. (152mm)	NA
FSLF24-S Belimo	7 <sup>1</sup> / <sub>16</sub> in. (195mm)	0	6 in. (152mm)	NA
FSNF24 (-S) Belimo	½ in. (13mm)	9 <sup>3</sup> / <sub>16</sub> in. (249mm)	6 in. (152mm)	9 in. (229mm)
MS8120 Series Honeywell	½ in. (13mm)	9 <sup>3</sup> / <sub>16</sub> in. (249mm)	6 in. (152mm)	9 in. (229mm)
<b>230 Volt AC</b>				
FSLF230-S Belimo	7 <sup>1</sup> / <sub>16</sub> in. (195mm)	0	6 in. (152mm)	NA
FSNF230-S Belimo	½ in. (13mm)	9 <sup>3</sup> / <sub>16</sub> in. (249mm)	6 in. (152mm)	9 in. (229mm)
FSTF230-S Belimo	7 <sup>1</sup> / <sub>16</sub> in. (195mm)	½ in. (13mm)	6 in. (152mm)	NA
MS4X09 Series Honeywell	½ in. (13mm)	8½ in. (216mm)	6 in. (152mm)	NA
MS4620 Series Honeywell	½ in. (13mm)	9 <sup>3</sup> / <sub>16</sub> in. (249mm)	6 in. (152mm)	9 in. (229mm)

\*When damper height is 18 in. (457mm) or greater, these dimensions are zero.

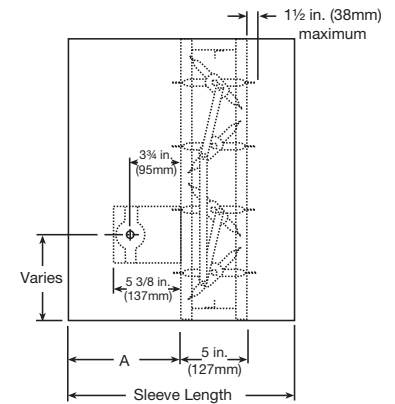
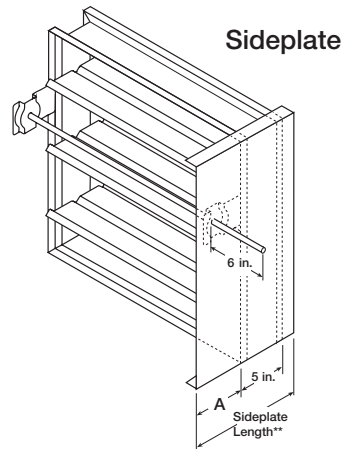
## Damper Sideplate and Sleeve Dimensional Data

The drawings illustrate the factory standard sideplate and sleeve mountings for the SMD-302. The standard "A" dimensions listed in the table provide adequate space for the mounting of actuators and controls.

If space constraints are a problem the "A" dimension can be varied between 6 in. (152mm) and 16 in. (406mm).

in. (mm)	"A" Dimension		
	Sleeve		Sideplate
	Standard	Maximum	
All Dampers	7 <sup>3</sup> / <sub>16</sub> (183)	16 (406)	6 <sup>3</sup> / <sub>16</sub> (157)
When height is 11 in. (279) or less with OCI	12 (305)	16 (406)	12 (305)

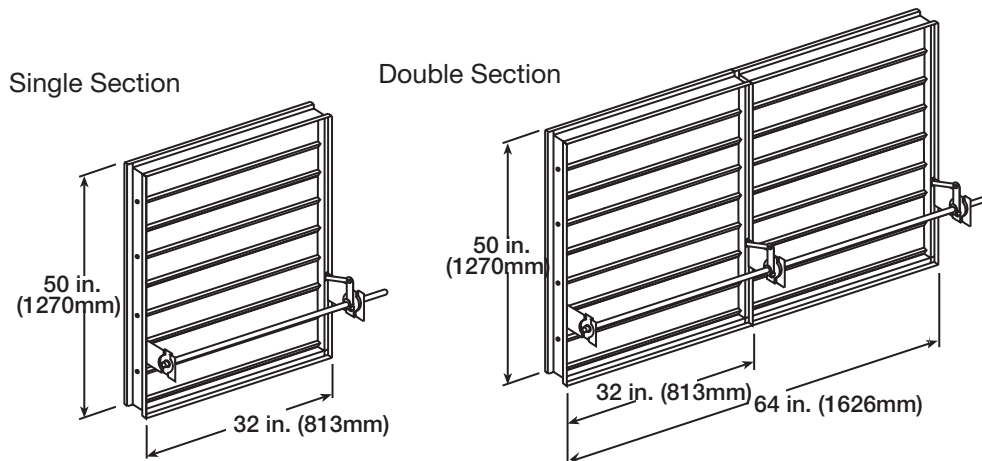
**NOTE:** Entire damper frame is not required to be installed within the wall. The damper blades, when closed should be contained within the wall.



Sleeve

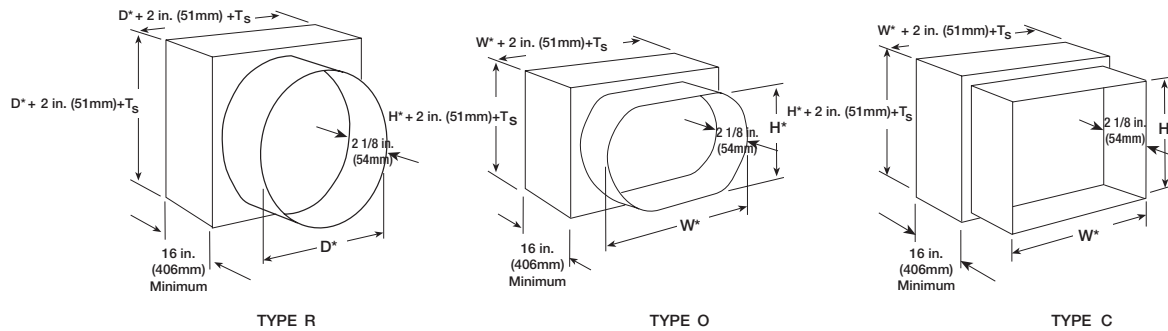
## Damper Sizing Information

Dampers larger than maximum single section size are supplied as a factory assembly of two or more sections of equal size. The following figures show damper sections and assemblies that have been qualified for operation with a single actuator. Larger size can be accommodated using multiples of these assemblies.



## Transitioned Damper Dimensions

When a smoke damper is being used in conjunction with round or oval ductwork, the SMD-302 can be supplied in a factory sleeve with round or oval transitions on both ends of the sleeve. Dampers should be ordered to the duct dimensions. Drawings below show overall damper size.



\* These dimensions are furnished approximately  $\frac{1}{4}$  in. (6mm) undersize, except round and oval dimensions which are approximately  $\frac{1}{8}$  in. (3mm) undersize.

Ts = (2)(Sleeve Thickness)

## Specifications

Smoke dampers meeting the following specifications shall be furnished and installed where shown on plans and/or as described in schedules. Dampers shall meet the requirements of NFPA 92, 101, and 105 and further shall be tested, rated and labeled in accordance with the latest edition of UL Standard 555S. Smoke dampers shall be of low leakage design qualified to UL 555S Leakage Class II.

Each damper/actuator combination shall have a UL 555S elevated temperature rating of 250°F (121°C) minimum and shall be rated to operate at maximum design air flow at its installed location. Each damper shall be supplied with an appropriate actuator installed by the damper manufacturer at the time of damper fabrication. Damper actuator shall be (specifier select one of the following) electric type for 120 (24 or 230) volt operation.

Damper blades shall be of the double skin airfoil type and shall have an equivalent metal thickness of 14 ga. (2mm). Damper frame shall be galvanized steel formed into a structural hat channel shape with reinforced corners. Bearings shall be 316SS rotating in extruded holes in the damper frame. Blade edge seals shall be silicone rubber designed to inflate and provide a tighter seal against leakage as pressure on either side of the damper increases. Jamb seals shall be stainless steel compression type. Blades shall be symmetrical relative to their axle pivot point, presenting identical resistance to airflow in either direction or pressure on either side of the damper.

Damper must be rated for mounting vertically (with blades running horizontal) or horizontally and be UL 555S rated for leakage and airflow in either direction through the damper.

The basis of design is model SMD-302.