

## Round Remote Balancing Damper

### Application and Design

Model RBDR-50 is a round remote powered balancing damper designed to regulate the flow of air in a HVAC system. This balancing damper is ideal for applications where it is difficult to get access to manually adjust the dampers and balance the airflow. The 'EZ Balance' hand held remote (equipped with 9 volt power supply) operates the damper actuator when connected to the diffuser connector or wall/ceiling plate.

### Ratings

Pressure: 1 in. wg (.25 kPa) - pressure differential

Velocity: 2,000 fpm (10.2 m/s)

Temperature: 180° F (82°C)

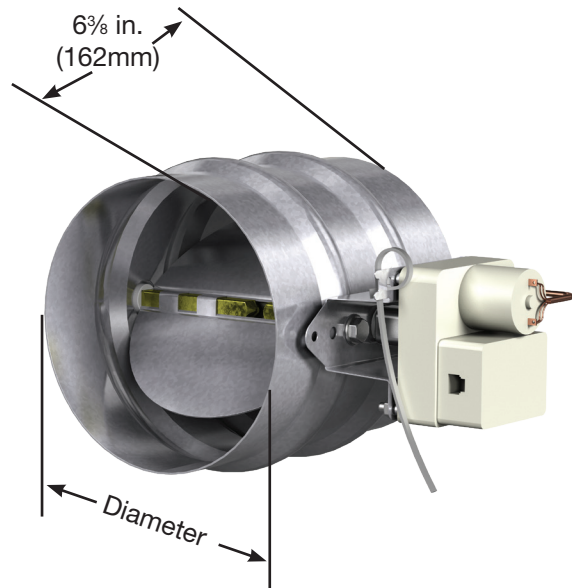
Construction	Standard
Frame Material	Galvanized Steel
Frame Material Thickness	20 ga. (1mm)
Blade Material	Galvanized Steel
Blade Thickness	20 ga. (1mm)
Axles	3/8 in. sq. (10mm) Plated Steel
Bearings	Synthetic (acetal) Sleeve Type
Operator	9 Volt Actuator

### Size Limitations

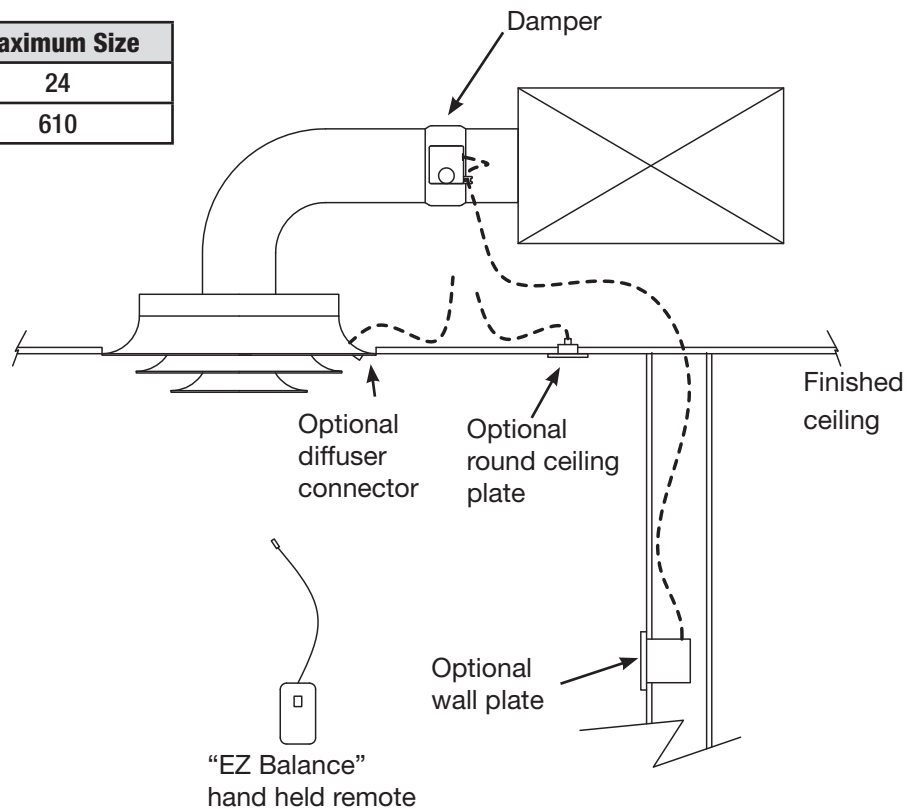
Diameter	Minimum Size	Maximum Size
Inches	4	24
mm	102	610

Note:  
All wire connections are made with prewired RJ11 plugs and socket. No additional wiring or tools required.

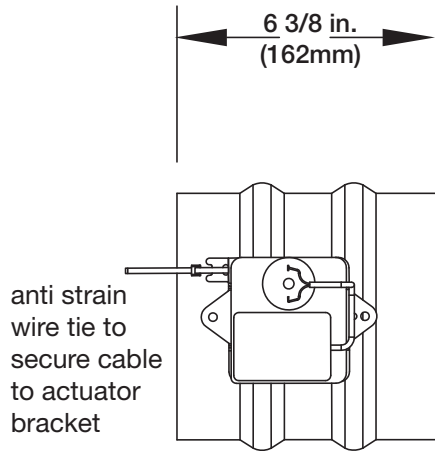
Note:  
Utilizing any controller other than 'EZ Balance' remote to adjust the RBD-10 damper voids the actuator warranty.



Diameter dimension is furnished approximately 1/8 in. (3mm) undersize.

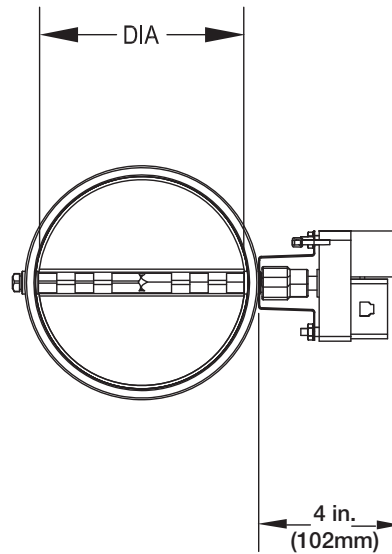


## Dimensional Drawings



**Side View**

Actuator factory mounted



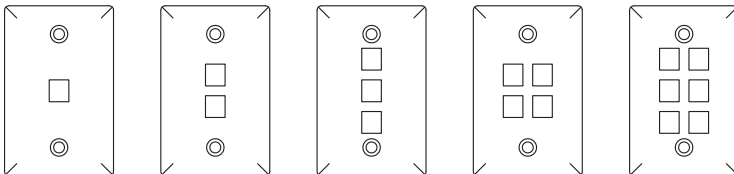
**Front View**

Actuator factory mounted

## Accessories

- Diffuser connectors
- Single gang wall plates with ports (1, 2, 3, 4, or 6 port)  
- Colors available: white or stainless steel
- Round wall/ceiling mounting plate with one port
- Single gang outlet box
- 'EZ Balance' remote control device (9 volt battery and 5 foot (1524mm) of cable included)
- Plenum rated cable - 5, 14, 25, or 50 feet (1524, 4267, 7620, 15240 mm)
- Cable connectors

### Wall Plates with Ports



One Port

Two Ports

Three Ports

Four Ports

Six Ports

White wall plate dimension is 3¼ in. x 4¾ in. (83mm x 121mm).

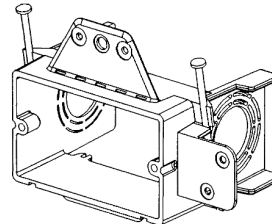
Stainless steel wall plate dimension is 2¾ in. x 4½ in. (70mm x 114mm).

### Round Wall/Ceiling Plate



3¼ in. (83mm) diameter

### Single Gang Box



### EZ Balance Remote



## Specifications

Round remote balancing dampers meeting the following specifications shall be furnished and installed where shown on plans and/or as described in schedules.

Dampers shall consist of: a 20 ga. (1mm) galvanized steel frame/sleeve with 6⅝ in. (162mm) depth; blades fabricated from 20 ga. (1mm) galvanized steel; ⅜ in. (10mm) square plated steel axles, acetal bearings. Damper shall be supplied with 9 volt actuator. All wire connections to be made using RJ11 plugs and sockets, no additional wiring or tools are needed.

Dampers shall be suitable for pressures up to 1 in. wg (.25 kPa), velocities up to 2,000 fpm (10.2 m/s) and temperatures up to 180°F (82°C). Testing and ratings to be in accordance with AMCA Standard 500-D.

Basis of design is model RBDR-50.