

## Application

Model MBDR-50 is a round manual balancing damper designed to regulate flow of the air in a HVAC system. They are not intended to be used in applications as a positive shut off or for automatic control.

## Ratings

### Pressure

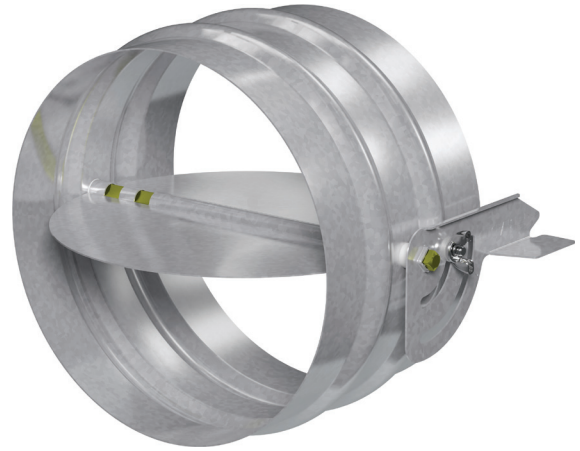
Up to 1 in. wg (0.25 kPa) - pressure differential

### Velocity

Up to 2000 fpm (0.2 m/s)

### Temperature

Up to 180°F (82°C)



## Construction

	Standard
<b>Frame Material</b>	Galvanized steel
<b>Frame Thickness</b>	20 ga. (1mm)
<b>Blade Material</b>	Galvanized steel
<b>Axle Bearings</b>	Synthetic (acetal) sleeve
<b>Axle Material</b>	Plated steel
<b>Operator</b>	3/8 in. (10mm) sq. Locking manual quadrant

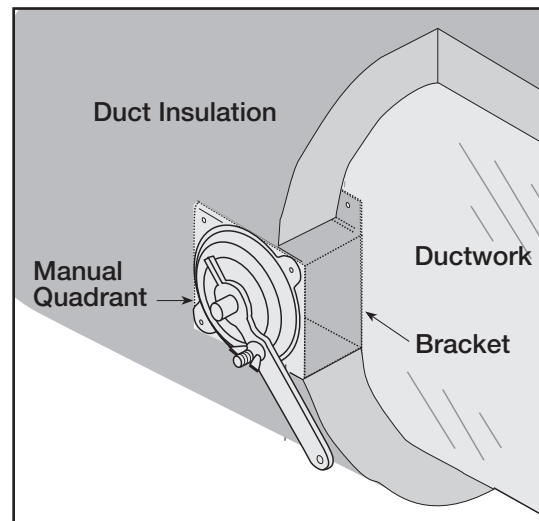
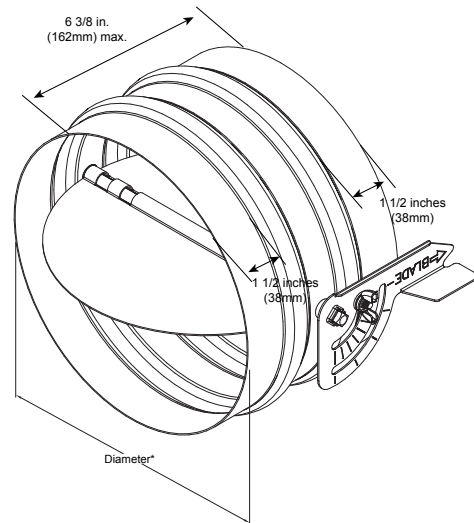
## Size Limitations

Diameter	Minimum	Maximum
in. (mm)	4 in. (102)	24 in. (610)

## Options

- 1 1/2 in. (38mm) stand off bracket (with extended pin) to accommodate for the thickness of external duct insulation
- 2 in. (51mm) stand off bracket

\*D dimension furnished approximately 1/8 in. (3mm) undersize.



## Documents

---

[Venco Products Catalog](#)



[Warranty](#)

