

## Installation, Operation and Maintenance Manual

Please read and save these instructions for future reference. Read carefully before attempting to assemble, install, operate or maintain the product described. Protect yourself and others by observing all safety information. Failure to comply with these instructions will result in voiding of the product warranty and may result in personal injury and/or property damage.

### Standard Assembly

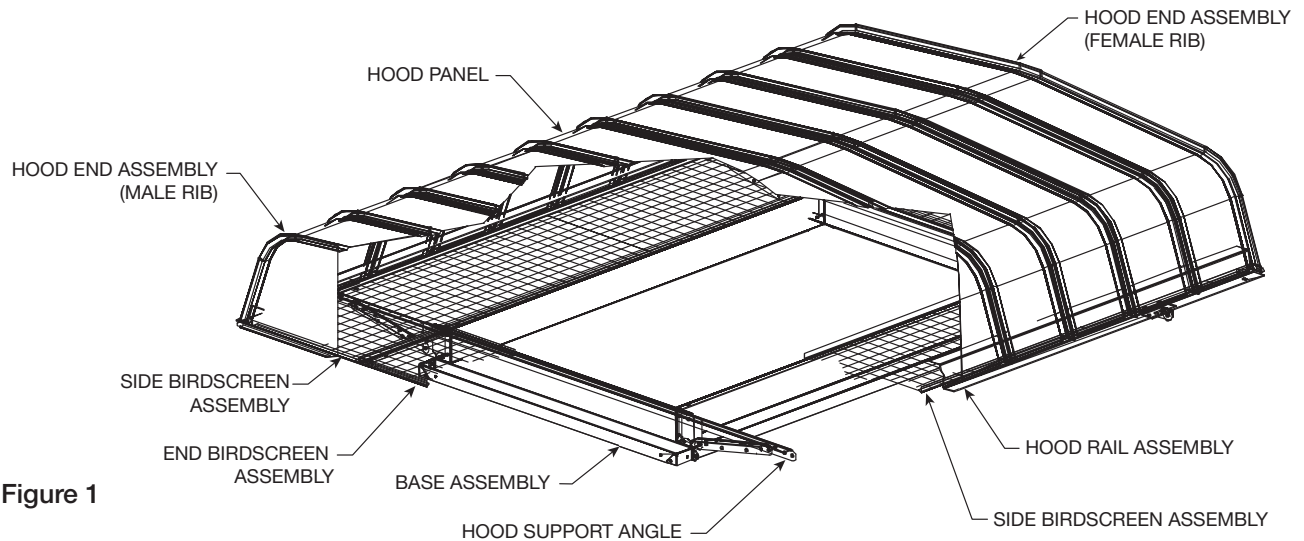


Figure 1

#### Step 1 – Open crates and separate parts

Open the shipping crates and separate the parts according to the size of the unit, refer to Figure 1.

#### Step 2 – Place BASE ENDS and BASE SIDES

Place the two base ends and the two base sides in their approximate relationship to each other, see Figure 2. Fasten together using three 1/4-20 fasteners per corner for 5 inch high base and four 1/4-20 fasteners per corner for 12 inch high base.

**NOTE:** Fasteners should be hand tightened only until Step 4.

On some units where the difference between the hood width and throat width is greater than 32 inches, a reinforcing plate is required in the corners of the base, refer to Figure 2, Detail A.

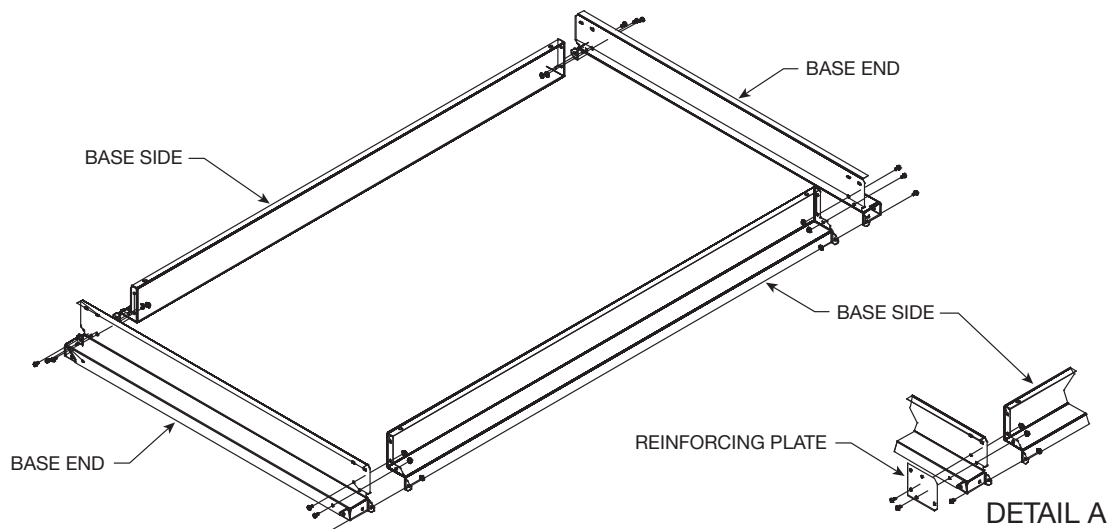


Figure 2

### Step 3 – Attach HOOD BASE ENDS to HOOD BASE SIDES

Attach the hood support angle to the base assembly, using four 1/4-20 fasteners per angle, see Figure 3, Detail B.

On some units, two diagonal braces come pre-attached to the hood support angle. Fasten the loose end of the diagonal braces to the base assembly, using one 1/4-20 fastener per diagonal brace. See Figure 3, Detail C.

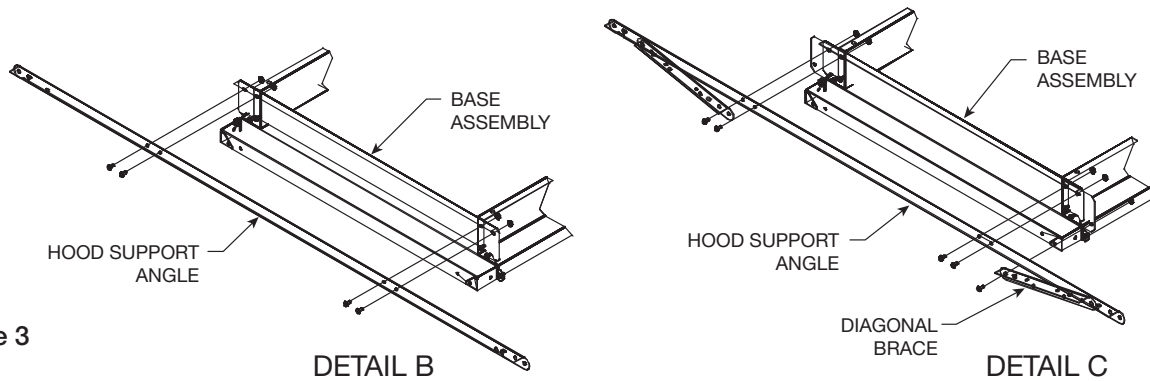


Figure 3

### Step 4 – Tighten fasteners and caulk all inside corners

Tighten all fasteners. Caulk all inside corners where the base sections come together. At this point, the base may be lifted onto the roof curb before proceeding with further assembly.

### Step 5 – Attach SIDE BIRDSCREEN ASSEMBLY to HOOD SUPPORT ANGLE

Attach the side bird screen assembly to the hood support angle and base assembly using four 1/4-20 x 1 inch fasteners per screen assembly, see Figure 4.

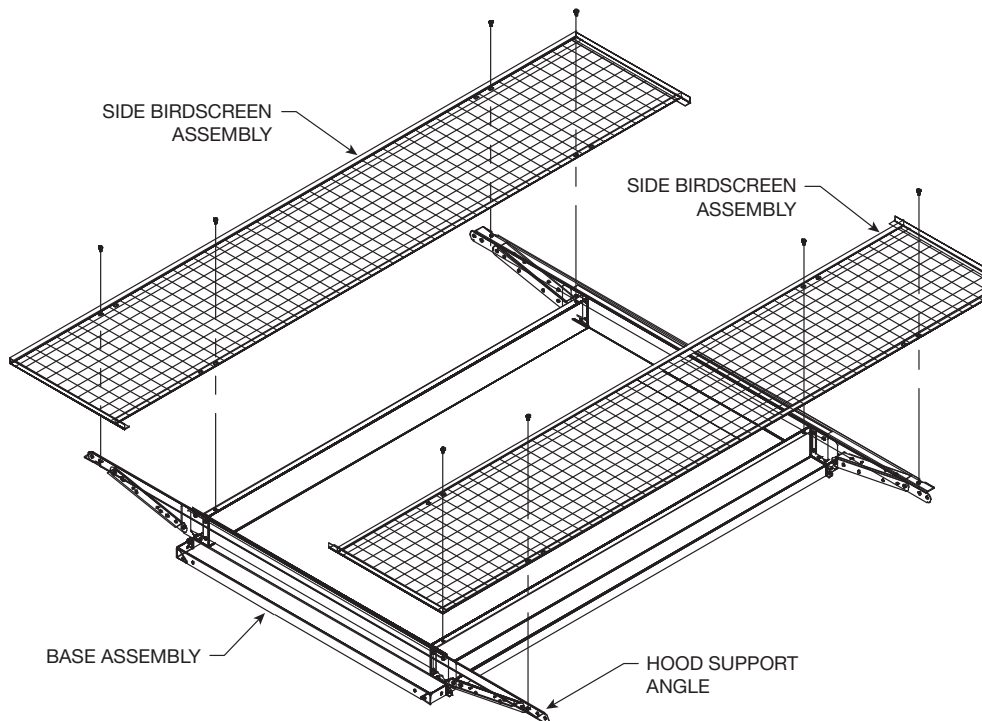


Figure 4

## Step 6 – Install END BIRDSCREEN ASSEMBLY

Install the end birdscreen assembly, refer to Figure 5. Turn the birdscreen clips (which are pre-assembled to the end birdscreen assembly) so that two are under the side birdscreen frame extension and the other two are under the hood support angle. See Figure 5, Detail D.

**NOTE:** Loosen and tighten the birdscreen clip as necessary.

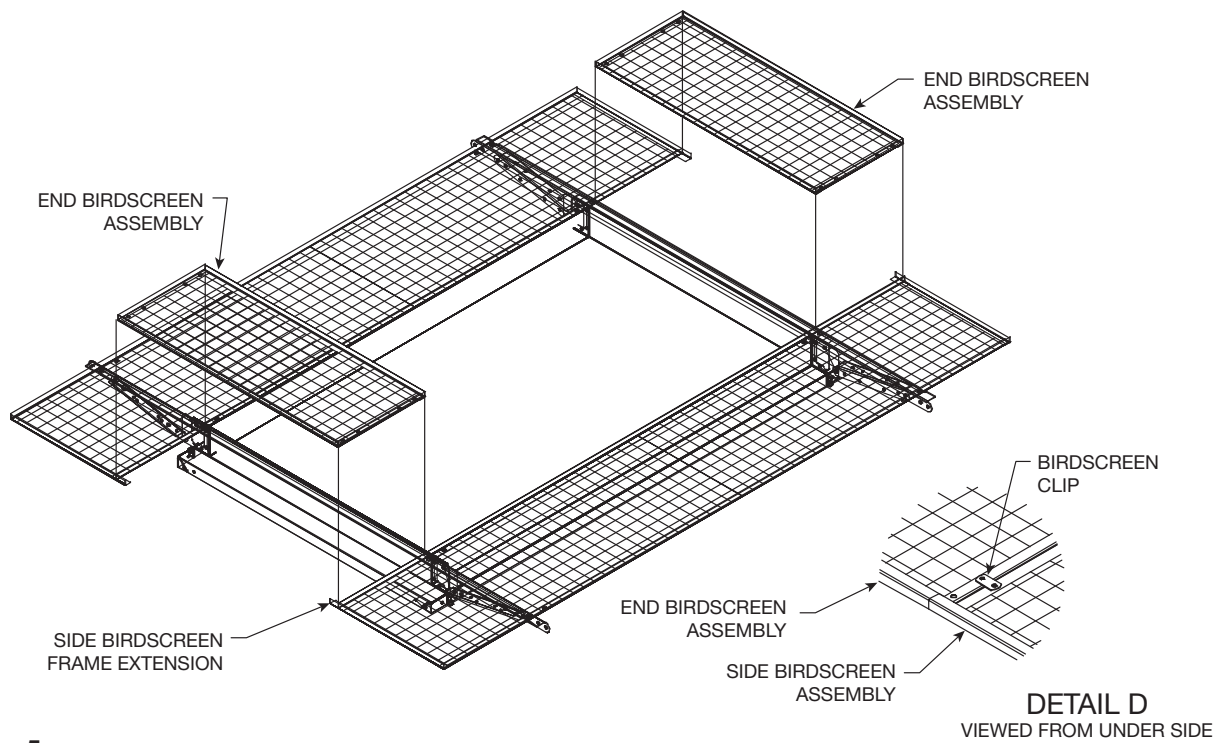


Figure 5

## Step 7 – Attach HOOD RAIL ASSEMBLY to HOOD SUPPORT ANGLES

Attach the hood rail assembly to the hood support angles, using 3/8 x 3/4 inch bolt with 3/8 inch Nyloc nut at each attachment point, see Figure 6.

**NOTE:** Fasteners should be hand tightened only until Step 9.

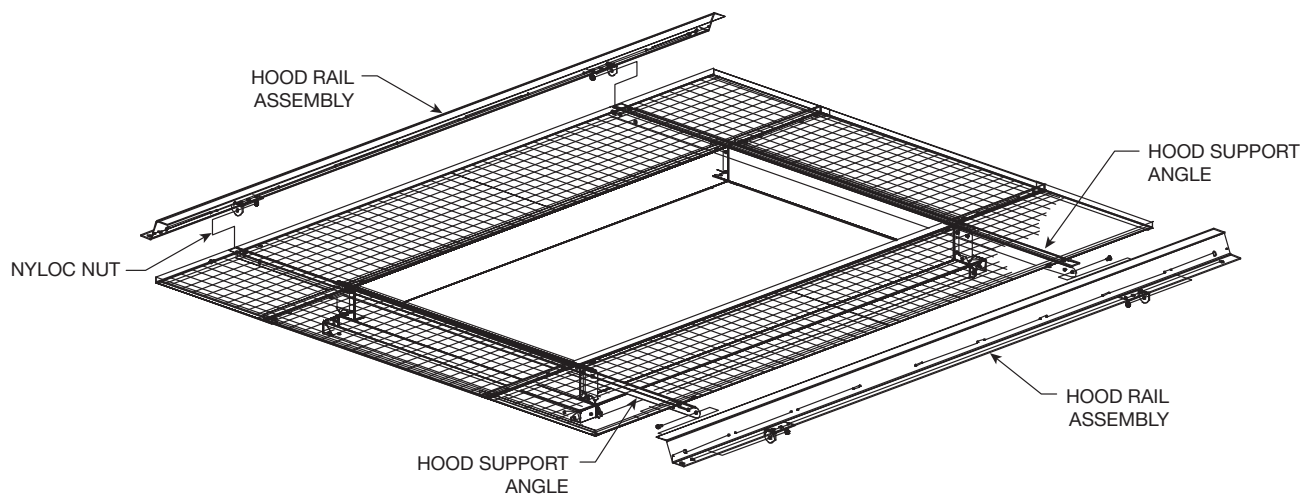


Figure 6

## Step 8 – Assemble HOOD PANELS to HOOD RAIL ASSEMBLY

Assemble hood panels to hood rail assembly. The hood end assembly with the “male rib” is to be installed first, see Figure 7, Detail E. Place the remaining hood panels in place, interlocking panels as you go, see Detail E. Secure each hood panel to the hood rail assembly as it is put in place, using four 12 x 3/8 inch sheet metal screws with sealing washers per hood panel. The hood end assembly with the “female rib” is to be installed last.

**NOTE:** Hoods over 9 feet wide are supplied with special hood clips. See Detail F. hood panels have predrilled holes for hood clip installation. Install clips as hood panels are being put in place, using one 12 x 5/8 inch sheet metal screw with sealing washer per hood clip. To install clips in the last panel, leave the end birdscreen assembly out to provide access to the underside of the hood. The end birdscreen assembly can be easily replaced after the hood is completely assembled.

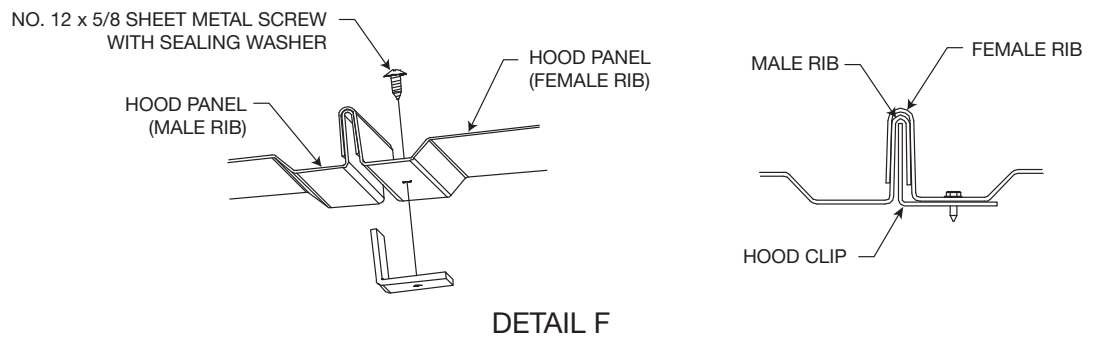
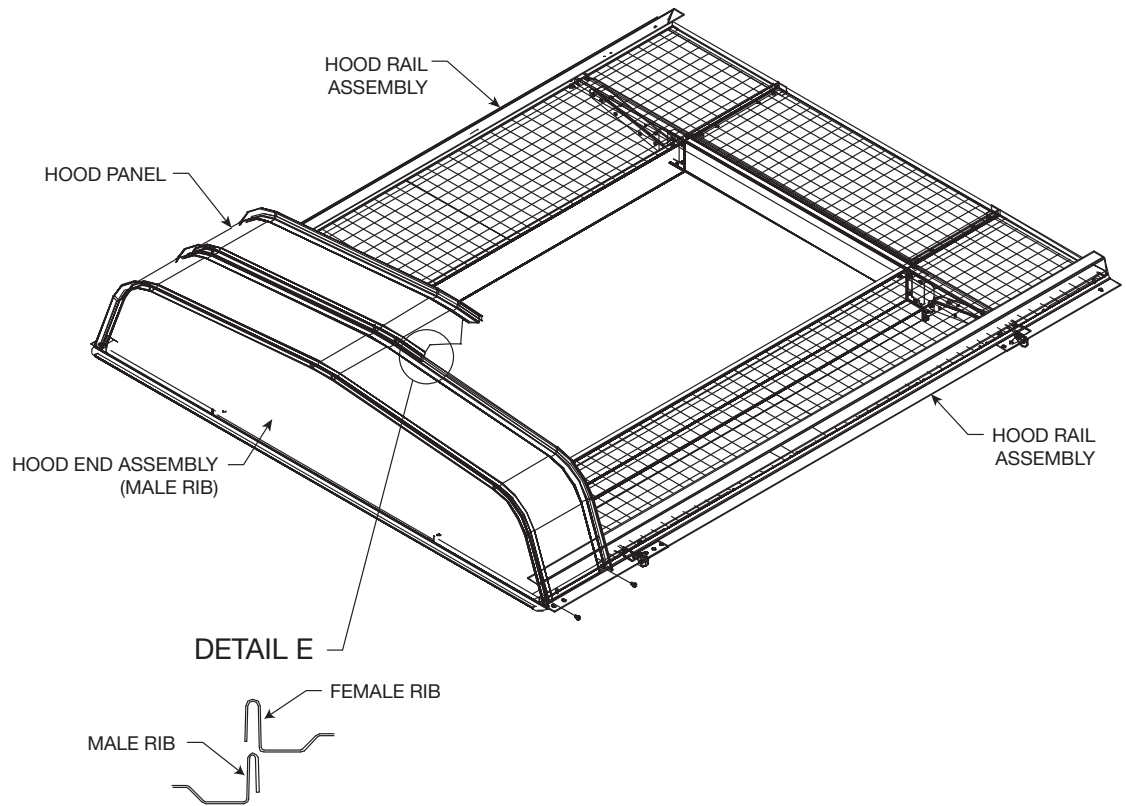


Figure 7

## Step 9 – Tighten fasteners

Tighten all pivot bracket fasteners. **NOTE:** There may be extra fasteners.

## Our Commitment

*As a result of our commitment to continuous improvement, Venco reserves the right to change specifications without notice.*

