



HB-330

Industrial Backdraft Damper

Fabricated Airfoil Blades

Application and Design

Model HB-330 is a heavy duty backdraft damper with a double flanged galvanized steel channel frame and double thickness fabricated airfoil blades. It is designed to prevent backflow and to provide shutoff in HVAC or industrial process systems. External heavy duty linkage, blade counterbalance, and ball bearings are standard.

Ratings

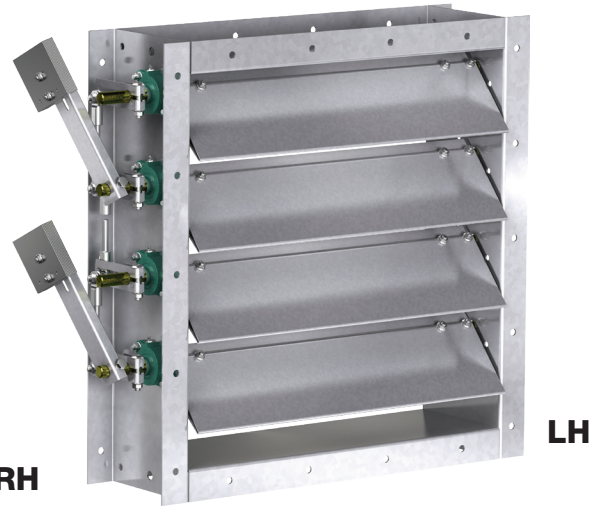
Pressure: Up to 20 in. wg (5 kPa) - differential pressure

Velocity: Up to 6400 fpm (32.5 m/s)

Temperature: -40°F to 250°F (-40°C to 121°C)
Consult factory for temperatures above 250°F (121°C).

Construction

	Standard	Optional
Frame Material	Galvanized Steel	304SS, 316SS, Carbon Steel
Frame Type	Flanged Channel	
Frame Gauge	12 ga. (2.7mm)	10 ga. (3.5mm)
Frame Depth	8 in. (203mm)	8 in. - 12 in. (203mm - 305mm)
Blade Material	Galvanized Steel	304SS, 316SS, Galvanneal
Blade Type	Airfoil	
Blade Gauge	16 ga. (1.5mm)	-
Blade Seals	Silicone	EPDM, None
Flanges	2 in. (51mm)	1 1/2 in. (38mm)
Axle Bearing	External Ball	-
Axle Diameter	3/4 in. (19mm)	-
Axle Material	Plated Steel	303SS or 316SS
Linkage	External heavy duty type with steel clevis arms, plated threaded rod with plated tie rod end bearings	304SS
Air Flow	-	Horizontal, Vertical Up, Vertical Down, Angular Up, Angular Down
Paint Finishes	Mill Finish	Epoxy, Hi Pro Polyester, Industrial Epoxy
Mounting Holes	None	Standard, Standard w/Corner Holes



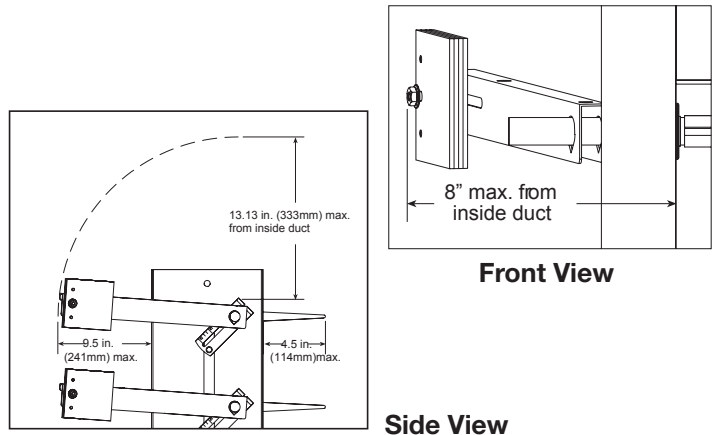
* Actual inside dimension.

** The W dimension is ALWAYS parallel with the damper blade length.

*** RH counterbalance is standard.

**** Counterbalance weights extend beyond inlet flange in the open position.

Counterbalance Weight Dimensions



Advise air flow direction & counterbalance weight location when ordering

Size Limitations

W x H	Minimum Size	Maximum Size	
		Single Section	Multi - Section
Inches	6 x 6	60 x 96	120 x 96
mm	152 x 152	1524 x 2438	3048 x 2438

Pressure Limitations

The chart at the right shows conservative pressure limitations based on a maximum blade deflection of $w/360$.

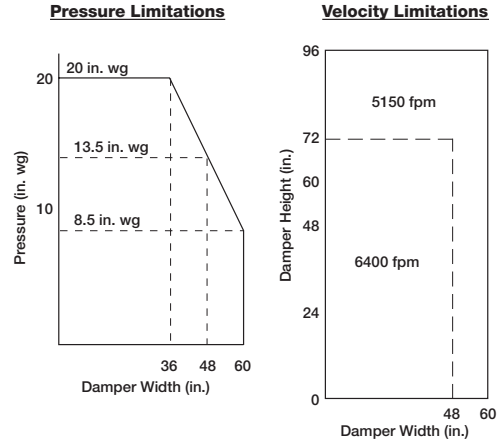
Temperature Limitations

Blade seals: -40° to 250°F (-40° to 121°C)

For higher temperatures, consult factory.

Velocity Limitations

The chart at far right shows velocity limitations based on damper size.



Pressure Drop Data

This pressure drop data was conducted in accordance with AMCA Standard 500-D using the three configurations shown. All data has been corrected to represent standard air at a density of $.075 \text{ lb/ft}^3$ (1.2 kg/m^3).

Actual pressure drop found in any HVAC system is a combination of many factors. This pressure drop information along with an analysis of other system influences should be used to estimate actual pressure losses for a damper installed in a given HVAC system.

AMCA Test Figures

Figure 5.3 illustrates a fully ducted damper. This configuration has the lowest pressure drop of the three test configurations because the entrance and exit losses are minimized by straight duct runs upstream and downstream of the damper.

Figure 5.2 illustrates a ducted damper exhausting air into an open area. This configuration has a lower pressure drop than Figure 5.5 because the entrance losses are minimized by a straight duct run upstream of the damper.

Figure 5.5 illustrates a plenum mounted damper. This configuration has the highest pressure drop because of the high entrance and exit losses due to the sudden changes of area in the system.

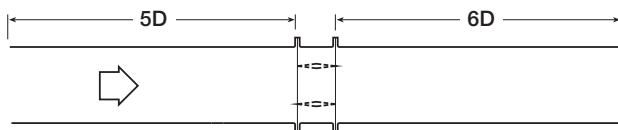


Fig. 5.3

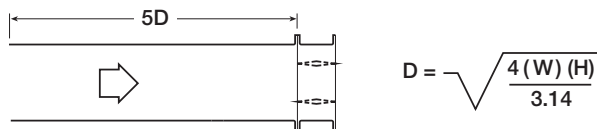


Fig. 5.2

$$D = \sqrt{\frac{4(W)(H)}{3.14}}$$

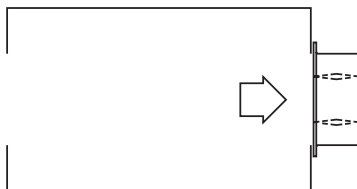
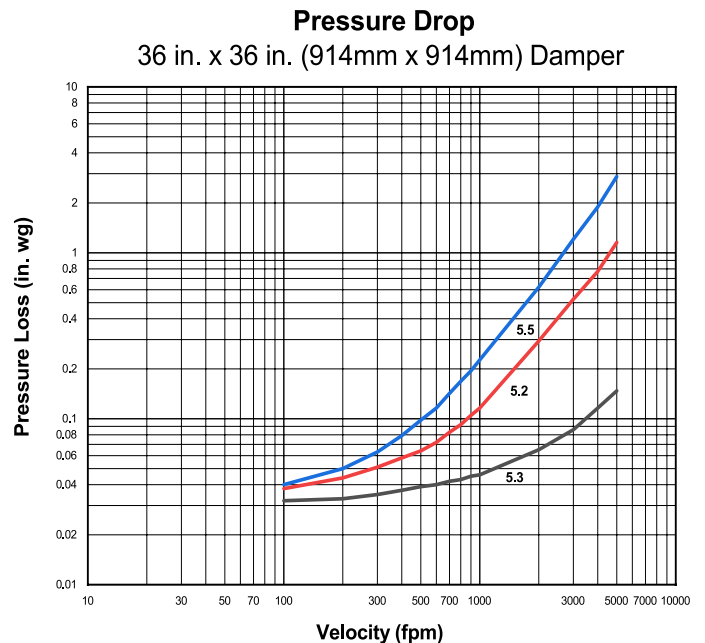


Fig. 5.5

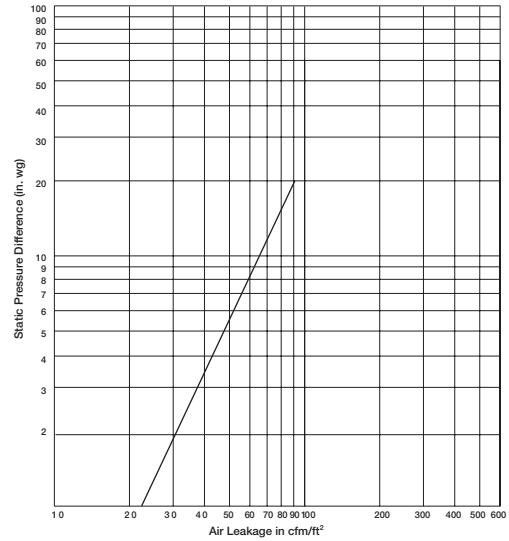


Leakage Data

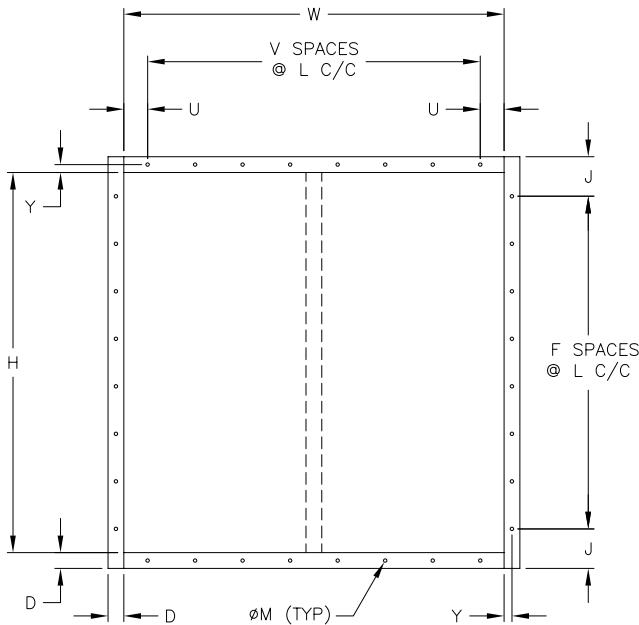
Leakage testing was conducted in accordance with AMCA Standard 500-D and is expressed as CFM per sq. ft. of damper face area. All data has been corrected to represent standard air at a density of 0.075 lb/ft³ (1.2 kg/m³).

Leakage

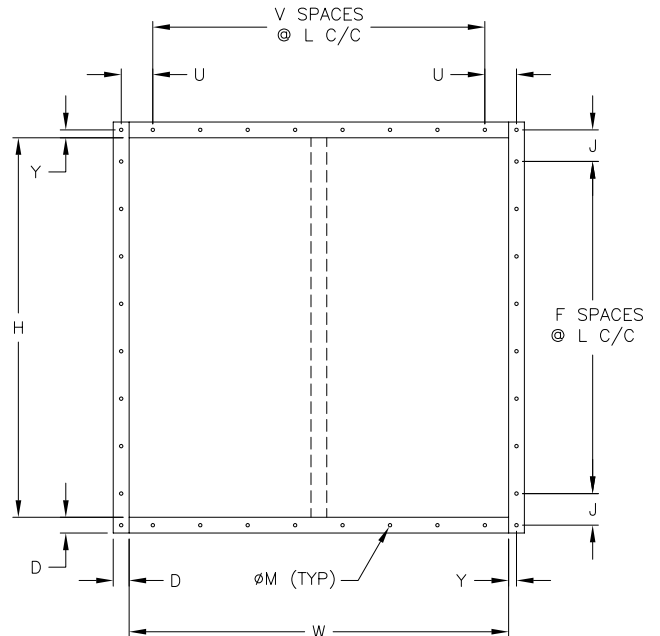
36 in. x 36 in. (914mm x 914mm) Damper



Bolt holes are available as an option. The standard pattern is 7/16 in. (11mm) diameter holes (M dimension) spaced 6 in. (152mm) on center (L dimension). Custom bolt hole patterns are available. Contact factory for the limitations.



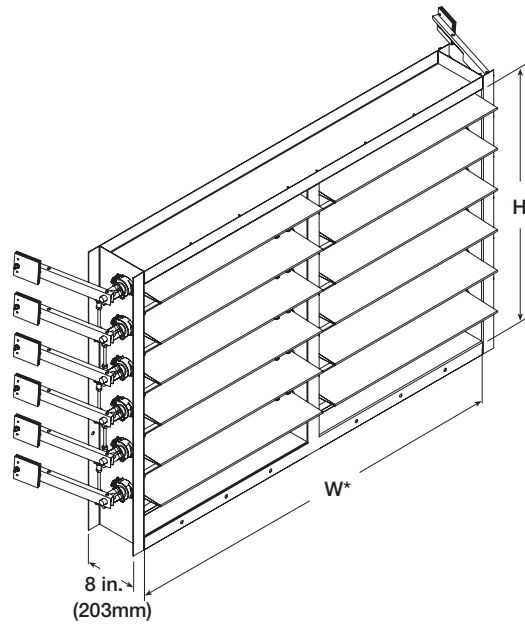
Standard Mounting Hole Pattern
Typical for single or double wide panel



Standard Mounting Hole Pattern with Corner Holes
Typical for single or double wide panel

Multiple Section Assembly

Damper sizes larger than 60 in. x 96 in. (1524mm x 2438mm) and less than 120 in. x 96 in. (3048mm x 2438mm) will be supplied in one frame with two sets of blades separated by a mullion as shown below. Counterbalance weights supplied on right hand and left hand side. For sizes larger than 120 in. x 96 in. (3048mm x 2438mm), consult factory.



Specifications

Industrial grade backdraft dampers meeting the following specifications shall be furnished and installed where shown on plans and/or as described in schedules.

Dampers shall consist of: a 12 ga. (2.7mm) galvanized steel channel frame with 8 in. (203mm) minimum depth and 2 in. (51mm) flanges; airfoil shaped, 16 ga. (1.5mm) galvanized steel double skin construction blades; silicone rubber seals; 3/4 in. (19mm) dia. plated steel axles turning in externally mounted relubricable sealed ball bearings; and external (out of the airstream) precision 3/8 in. (9.5mm) spherical rod end linkage with counterbalance weights.

Damper manufacturer's printed application and performance shall be submitted for approval showing damper suitable for pressures to 20 in. wg (5 kPa), velocities to 6400 fpm (32.5 m/s) and temperatures to 250°F (121°C). Testing and ratings to be in accordance with AMCA Standard 500-D.

Basis of design is model HB-330.