

Applications

Model FD-110 is a narrowline static rated fire damper approved for use in walls, floors, and partitions with fire resistance rating less than 3 hours. This model carries a 1 ½ hour UL fire damper label. UL 555 classifies static rated fire dampers for use in HVAC systems that are automatically shut down in the event of a fire.

Ratings

UL 555 Fire Resistance Rating

Fire Rating: 1 ½ Hours

Construction

	Standard	Optional
Frame Material	Galvanized steel*	-
Frame Depth	2 3/16 in. (56mm)	-
Blade Material	Galvanized steel*	-
Closure Spring	Stainless steel	-
Fusible Link	165°F (74°C)	212°F (100°C)
Mounting	Vertical	-

* in gauges required by UL listing R13317



* These dimensions are furnished approximately ¼ in. (6mm) undersize.

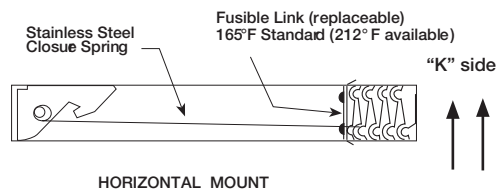
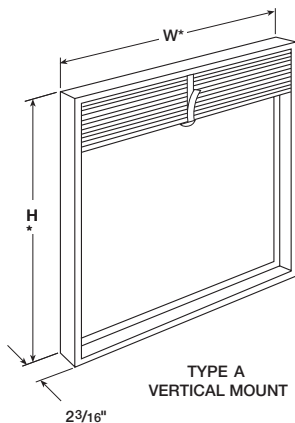


See complete marking on product.

UL 555 Classification R16690

Model FD-110 meets the requirements for fire dampers established by:

- National Fire Protection Association NFPA Standards, 80, 90A, and 101
- International Building Codes (IBC)



Options and Accessories

- [Breakaway connections](#)
- Clean wrap
- Closed indicator switch
- Flanges
- [Grille tabs](#)
- [Retaining angles](#)
- [Security bars](#)
- Sealed transitions and sleeve
- Transitions: B, B2

Document Links

[Installation Instructions](#)



[Life Safety Damper Catalog](#)



[Damper Product Selection Guide](#)



[Specifications](#)



[Damper Warranty](#)

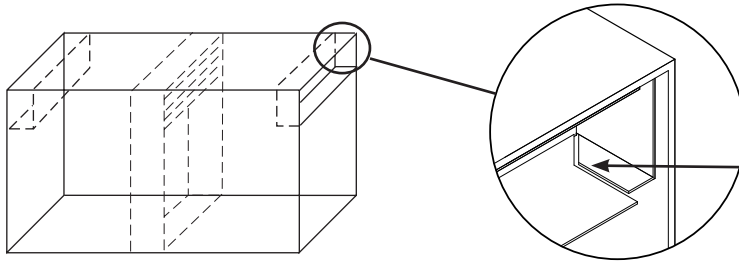
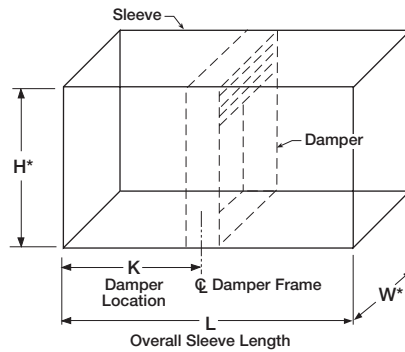


Factory Sleeve Option

All fire damper installations require the use of sleeves, angles and methods described in the installation instructions. Sleeves can be field fabricated or factory furnished as a completed damper/sleeve assembly.

Sleeves are galvanized steel and are available in 20 through 10 ga. (1mm - 3.5mm) thicknesses and lengths up to 36 in. (914mm).

"K" dimension specifies location of damper within the sleeve. Minimum is 4 in. (102mm), maximum is "L" less 4 in. (102mm), which allows for mounting angle installation, and duct connection at each end of the sleeve. If "K" dimension is not specified, it will be provided as one half of "L" dimension (damper centered in sleeve).



When sealed option is selected, B transitions will need to be field sealed in the area where duct to sleeve connection is made.

Type B with sleeve

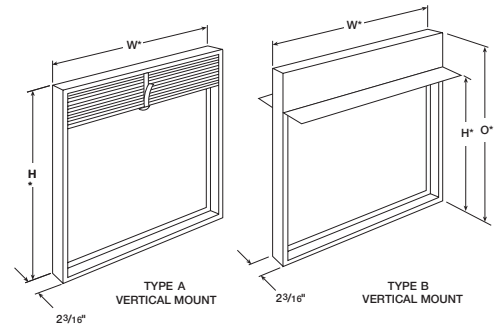
Type B corner profile

Type A, B, and B2

Narrowline FD-110 models are normally supplied in single section sizes only.

Vertical or Horizontal Mount		
Inches (mm)	Type A	Type B
Minimum Single Section	4 x 4 (102 X 102)	4 X 3 (102 X 76)
Maximum Single Section	48 X 48 (1219 X 1219)	48 X 42 (1219 X 1067)
Maximum Multi-Section	96 x 48 (2438 x 1219)	96 x 42 (2438 x 1067)

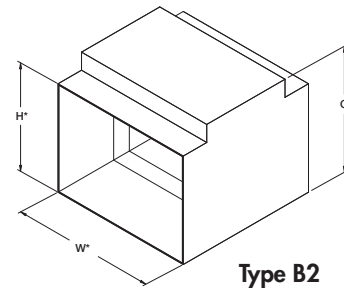
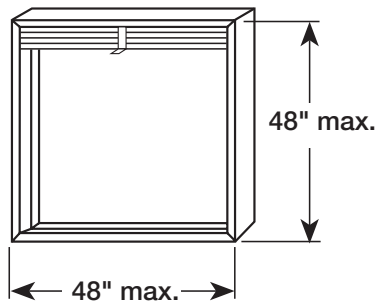
Overall Damper Dimensions



Type A

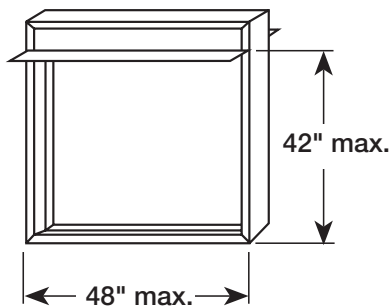
Type B

Type A - Maximum Dimensions

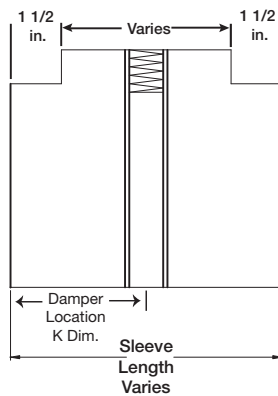


Type B2

Type B - Maximum Dimensions



Type B2 side view



Type B & B2 Overall Damper Dimensions

H*	O*	H*	O*
3 (76)	5 (127)	23 (584)	27 (686)
4 (102)	6 (152)	24 (610)	28 (711)
5 (127)	7 (178)	25 (635)	29 (737)
6 (152)	8 (203)	26 (660)	30 (762)
7 (178)	9 (229)	27 (686)	31 (787)
8 (203)	10 (254)	28 (711)	32 (813)
9 (229)	11 (279)	29 (737)	33 (838)
10 (254)	12 (305)	30 (762)	34 (864)
11 (279)	13 (330)	31 (787)	36 (914)
12 (305)	14 (356)	32 (813)	37 (940)
13 (330)	15 (381)	33 (838)	38 (965)
14 (356)	16 (406)	34 (864)	39 (991)
15 (381)	18 (457)	35 (889)	40 (1016)
16 (406)	19 (483)	36 (914)	41 (1041)
17 (432)	20 (508)	37 (940)	42 (1067)
18 (457)	21 (533)	38 (965)	44 (1118)
19 (483)	22 (559)	39 (991)	45 (1143)
20 (508)	23 (584)	40 (1016)	46 (1168)
21 (533)	24 (610)	41 (1041)	47 (1194)
22 (559)	26 (660)	42 (1067)	48 (1219)

*Dimensions are in inches (mm). These dimensions are furnished approximately 1/4 in. (6mm) undersize.