

Application

The FBH-43 is a horizontal style face and bypass low leakage damper. This model is intended for application in medium to high pressure and velocity systems. Smooth profile extruded aluminum airfoil blades insure the lowest resistance to airflow in HVAC systems.

The FBH-43 is IECC (International Energy Conservation Code) compliant with a leakage rating of 3 cfm per sq. ft. at 1 in. wg (55 cmh/m² at .25 kPa) or less.

Horizontal style face and bypass control dampers are used in applications where face and bypass dampers are needed along side each other. The units are connected causing one damper to open and the other damper to close.

Ratings

Pressure

Up to 8 in. wg (2 kPa) - pressure differential
For pressures greater than 8 in wg, consult factory.

Velocity

Up to 6000 fpm (30.5 m/s)

Temperature

Up to 250°F (121°C).

Leakage

6 cfm/ft² at 4 in. wg (110 cmh/m² at 1 kPa)
3 cfm/ft² at 1 in. wg (55 cmh/m² at 0.25 kPa)

Construction

	Standard	Optional
Frame Material	Aluminum	-
Frame Material Thickness	0.125 in. (3.2mm)	-
Frame Type	5 in. x 1 in. (127mm x 25mm) hat channel	-
Blade Material	Extruded Aluminum	-
Blade Type	Airfoil	-
Blade Action	Opposed	Parallel
Bypass Location	Right of Face	Left of Face
Linkage	Plated steel out of airstream, concealed in jamb	316SS
Axle Bearings	Synthetic (acetal) sleeve	316SS
Axle Material	Plated steel	316SS
Blade Seals	TPE	Silicone
Jamb Seals	Stainless Steel	-
Finish	None	Anodize, Baked Enamel, Hi Pro Polyester, Industrial Epoxy



* Width and Height is based on outside dimension. **Actual sizing only.**

Size Limitations

W x H in. (mm)	Damper	
	Face	Bypass
Minimum Sizes*	8 x 6 (203 x 178)	8 x 6 (203 x 178)
Maximum Sizes*	Single Section	60 x 74 (1524 x 1880)
	Multiple Section	96 x 74 (2438 x 1880)

* varies by actuator configuration

Features & Options

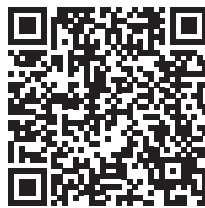
- Low profile head and sill are used on sizes less than 17 in. high (432mm).
- Airfoil (streamlined) blade shape for reduced turbulence and lower pressure drop at velocities to 6000 fpm (30.5 m/s).
- Electric actuators and manual operators available. Factory supplied actuators are sized for 1500 fpm (7 m/s) and a fully-closed differential pressure of 2 in. wg (.5kPa). Contact factory for actuator sizing and applications exceeding those levels.
- Clean wrap available.

Document Links

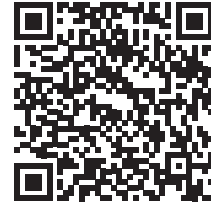
[Installation Instructions](#)



[Product Catalog](#)



[Damper Warranty](#)



AMCA Certified Pressure Drop Data

This pressure drop testing was conducted in accordance with AMCA Standard 500-D using the three configurations shown. All data has been corrected to represent standard air at a density of .075 lb/ft³ (1.201 kg/m³).

Actual pressure drop found in any HVAC system is a combination of many factors. This pressure drop information along with an analysis of other system influences should be used to estimate actual pressure losses for a damper installed in a given HVAC system.

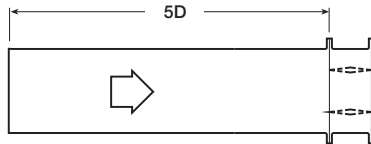
AMCA Test Figures

Figure 5.3 Illustrates a fully ducted damper. This configuration has the lowest pressure drop of the three test configurations because entrance and exit losses are minimized by straight duct runs upstream and downstream of the damper.

Figure 5.2 Illustrates a ducted damper exhausting air into an open area. This configuration has a lower pressure drop than Figure 5.3 because entrance losses are minimized by a straight duct run upstream of the damper.

Figure 5.5 Illustrates a plenum mounted damper. This configuration has the highest pressure drop because of extremely high entrance and exit losses due to the sudden changes of area in the system.

AMCA 5.2



12 in. x 12 in. (305mm x 305mm)

Velocity (fpm)	Pressure Drop (in. wg)
500	0.01
1000	0.06
1500	0.13
2000	0.23
2500	0.35
3000	0.50
3500	0.68
4000	0.88

24 in. x 24 in. (610mm x 610mm)

Velocity (fpm)	Pressure Drop (in. wg)
500	0.01
1000	0.04
1500	0.10
2000	0.18
2500	0.28
3000	0.40
3500	0.54
4000	0.70

36 in. x 36 in. (914mm x 914mm)

Velocity (fpm)	Pressure Drop (in. wg)
500	0.01
1000	0.03
1500	0.06
2000	0.12
2500	0.18
3000	0.26
3500	0.35
4000	0.46

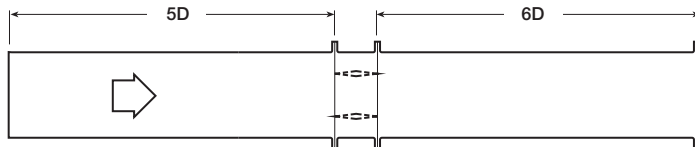
12 in. x 48 in. (305mm x 1219mm)

Velocity (fpm)	Pressure Drop (in. wg)
500	0.01
1000	0.04
1500	0.10
2000	0.17
2500	0.26
3000	0.38
3500	0.52
4000	0.68

48 in. x 12 in. (1219mm x 305mm)

Velocity (fpm)	Pressure Drop (in. wg)
500	0.01
1000	0.03
1500	0.06
2000	0.10
2500	0.16
3000	0.23
3500	0.30
4000	0.39

AMCA 5.3



12 in. x 12 in. (305mm x 305mm)

Velocity (fpm)	Pressure Drop (in. wg)
500	0.01
1000	0.03
1500	0.07
2000	0.14
2500	0.21
3000	0.29
3500	0.39
4000	0.51

24 in. x 24 in. (610mm x 610mm)

Velocity (fpm)	Pressure Drop (in. wg)
500	0.01
1000	0.02
1500	0.04
2000	0.08
2500	0.13
3000	0.19
3500	0.26
4000	0.34

36 in. x 36 in. (914mm x 914mm)

Velocity (fpm)	Pressure Drop (in. wg)
500	0.01
1000	0.01
1500	0.02
2000	0.04
2500	0.06
3000	0.09
3500	0.13
4000	0.17

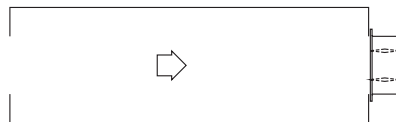
12 in. x 48 in. (305mm x 1219mm)

Velocity (fpm)	Pressure Drop (in. wg)
500	0.01
1000	0.03
1500	0.06
2000	0.11
2500	0.17
3000	0.25
3500	0.34
4000	0.45

48 in. x 12 in. (1219mm x 305mm)

Velocity (fpm)	Pressure Drop (in. wg)
500	0.01
1000	0.02
1500	0.04
2000	0.08
2500	0.12
3000	0.18
3500	0.24
4000	0.31

AMCA 5.5



12 in. x 12 in. (305mm x 305mm)

Velocity (fpm)	Pressure Drop (in. wg)
500	0.04
1000	0.14
1500	0.31
2000	0.55
2500	0.86
3000	1.23
3500	1.67
4000	2.19

24 in. x 24 in. (610mm x 610mm)

Velocity (fpm)	Pressure Drop (in. wg)
500	0.03
1000	0.12
1500	0.27
2000	0.48
2500	0.75
3000	1.07
3500	1.47
4000	1.91

36 in. x 36 in. (914mm x 914mm)

Velocity (fpm)	Pressure Drop (in. wg)
500	0.03
1000	0.10
1500	0.22
2000	0.39
2500	0.61
3000	0.87
3500	1.19
4000	1.56

12 in. x 48 in. (305mm x 1219mm)

Velocity (fpm)	Pressure Drop (in. wg)
500	0.03
1000	0.11
1500	0.25
2000	0.46
2500	0.72
3000	1.05
3500	1.43
4000	1.87

48 in. x 12 in. (1219mm x 305mm)

Velocity (fpm)	Pressure Drop (in. wg)
500	0.03
1000	0.11
1500	0.26
2000	0.46
2500	0.72
3000	1.02
3500	1.40
4000	1.83

* These values are for one damper (face or bypass), not the combined dampers.

Leakage

Air leakage is based on operation between 32°F (0°C) and 120°F (49°C).

Tested for leakage in accordance with ANSI/AMCA Standard 500-D, Figure 5.5.

Tested for air performance in accordance with ANSI/AMCA Standard 500-D, Figures 5.2, 5.3 and 5.5.

Torque

Data are based on a torque of 5.0 in. lb./ft² (0.56 N·m) applied to close and seat the damper during the test.

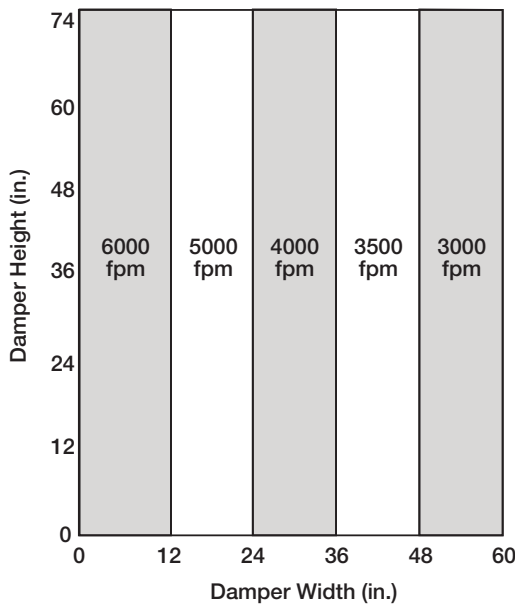
FBH-33 Maximum Damper Width	Leakage Class*		
	1 in. wg (0.25 kPa)	4 in. wg (1 kPa)	8 in. wg (2 kPa)
60 in. (1524mm)	1A	1	1

*Leakage Class Definitions

The maximum allowable leakage is defined by AMCA as the following:

- Leakage Class 1A - 3 cfm/ft² at 1 in. wg (class 1A is only defined at 1 in. wg).
- Leakage Class 1
 - 4 cfm/ft² at 1 in. wg
 - 8 cfm/ft² at 4 in. wg
 - 11 cfm/ft² at 8 in. wg
 - 12.6 cfm/ft² at 10 in. wg

Velocity and Temperature Limitations

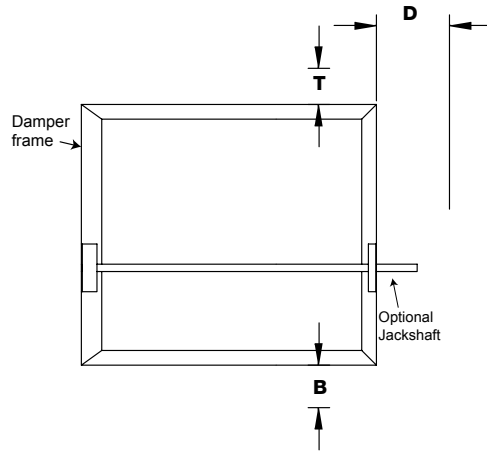


Blade Seal	Temperature Range
TPE	-10°F to 180°F (-23°C to 82°C)
Silicone	-40°F to 250°F (-40°C to 121°C)
No Seal	-40°F to 250°F (-40°C to 121°C)

NOTE: FBH-43 will withstand higher pressures and velocities based on face or bypass damper. Displayed ratings are conservative to prevent misapplication. Consult factory if you have an application outside these limitations. Temperatures in excess of 180°F (82°C) require special consideration.

Space Envelopes

Dampers less than 18 in. (457mm) high may require actuator clearances above and/or below the damper frame. **"B" and "T" dimensions are worst case clearance requirements for some dampers less than 18 in. (457mm) high.** All damper sizes under 18 in. (457mm) high do not require these worst case clearances. If space availability above or below the damper is limited, each damper size should be individually evaluated.

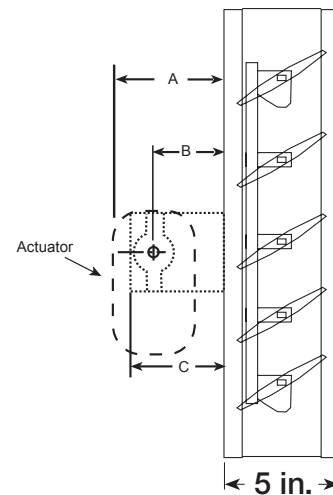


Actuator Type/Model	Height	T	B	D
	Inches (mm)			
AFBUP (-S) and FSNF Series, Belimo MSxx20 Series, Honeywell	≥6 to <10	0	12 ³ / ₄	6
	≥10 to <18	0	2	6
	≥18	0	0	10
FSLF, LF and TFB Series, Belimo	≥6 to <10	0	3 ¹ / ₂	6
	≥10	0	0	6
MSxx04 & MSxx09 Series, Honeywell	≥6 to <9	0	4 ³ / ₄	6
	≥9	0	0	6
MS75xx Series, Honeywell	≥6 to <10	0	12 ³ / ₄	6
	≥10 to <18	0	7	6
	≥18	0	0	6

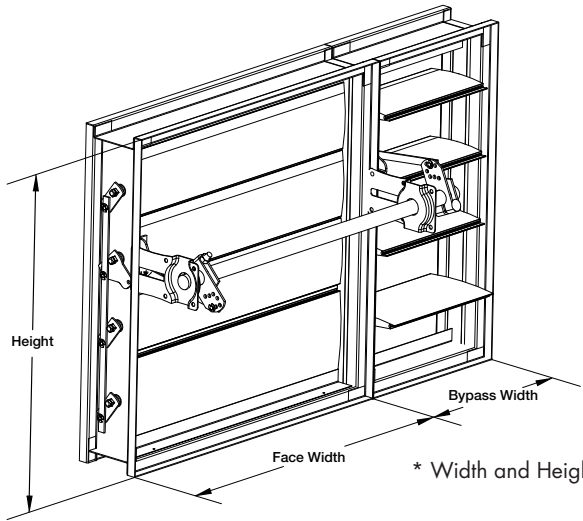
Mounting

- External - includes extension pin (standoff bracket optional)
- External kit - actuator and all mounting hardware
- Internal - blade lever

This drawing depicts the worst case clearance requirements for an actuator with a jackshaft.



Assemblies



Multi-Section Assembly

Dampers larger than the maximum single section size, will be made up of a multiple of equal size sections. The bypass damper can be mounted to the right or left of the face damper. This example depicts the face damper is two sections wide and the bypass damper is mounted to the left of the face, which is one section wide.

