

Application

The EM-30 series is a vertical mounted backdraft damper that is designed to allow horizontal airflow and prevent reverse airflow. The damper is opened by air pressure differential and closed by gravity.

Ratings

Pressure

Up to 10 in. wg (2.5 kPa) differential pressure. For pressures over 10 in. wg, consult factory

Velocity

2500 to 3500 fpm (13 -18 m/s)

Temperature

Up to 180°F (82°C)

Construction

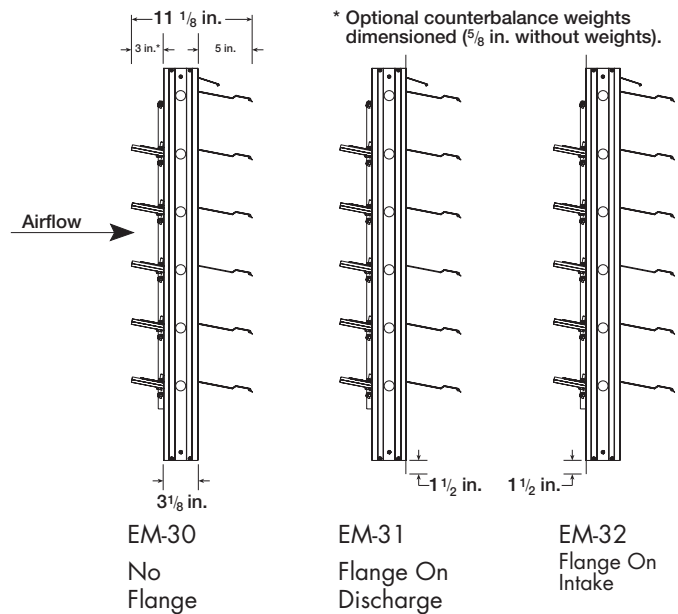
Construction	Standard
Frame Material	6063T5 Extruded Aluminum
Frame Depth	.125 in. (3.2mm)
Blade Material	6063T5 Extruded Aluminum
Blade Thickness	.070 in. (1.8mm)
Axle Linkage	1/8 in. (3mm) plated steel
Bearings	Synthetic (acetal) sleeve type
Blade Seals	Vinyl

W x H	Minimum Size		Maximum Single Section Size	Maximum Multi Section Size
	With Weights	Without Weights		
Inches	8 x 11	8 x 8	48 x 74	144 x 148
mm	203 x 279	203 x 203	1219 x 1880	3657 x 3759

Sizes larger than maximum shown will be supplied as two or more equal size smaller dampers required to make up the size specified. These larger multiple damper assemblies require field assembly and may require additional reinforcement (not supplied by factory) to support the assembly.



*W & H dimensions furnished approximately 1/4 in. (6mm) under size.



Note: Counterbalance weights may require field adjustment. Instructions are available at www.vencoproducts.com.

Adjustable Pressure Controller (APC)

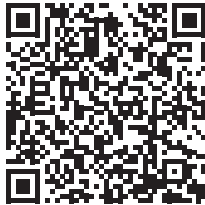
The APC allows field setting of relief pressure on all EM dampers. If more than a single section, a APC will be required for each section. Maximum pressure set limitations are as follows:

Area ft ² (m ²)	Maximum Set Pressure in. wg (Pa)
4 (.37)	.75 (187)
6 (.56)	.50 (125)
8 (100)	.40 (100)
10 (.93)	.30 (75)
15 (1.39)	.20 (50)
20 (1.86)	.15 (37)
24 (2.23)	.125 (31)



Document Links

[Installation Instructions](#)



[Catalog](#)



[Damper Warranty](#)



Performance Data

Test Information

- Air leakage is based on operation between 32°F and 120°F (0°C and 48°C)
- Tests for air leakage were conducted in accordance with ANSI/AMCA Standard 500-D Figure 5.5, in the intake direction
- Air performance testing conducted in accordance with ANSI/AMCA Standard 500-D, Figure 5.5

Air Leakage

Model EM-30 series dampers with a width and height 24 in. (610mm) or greater leak a maximum of:

- 8.9 cfm/ft² or less at 1.0 inches w.g.

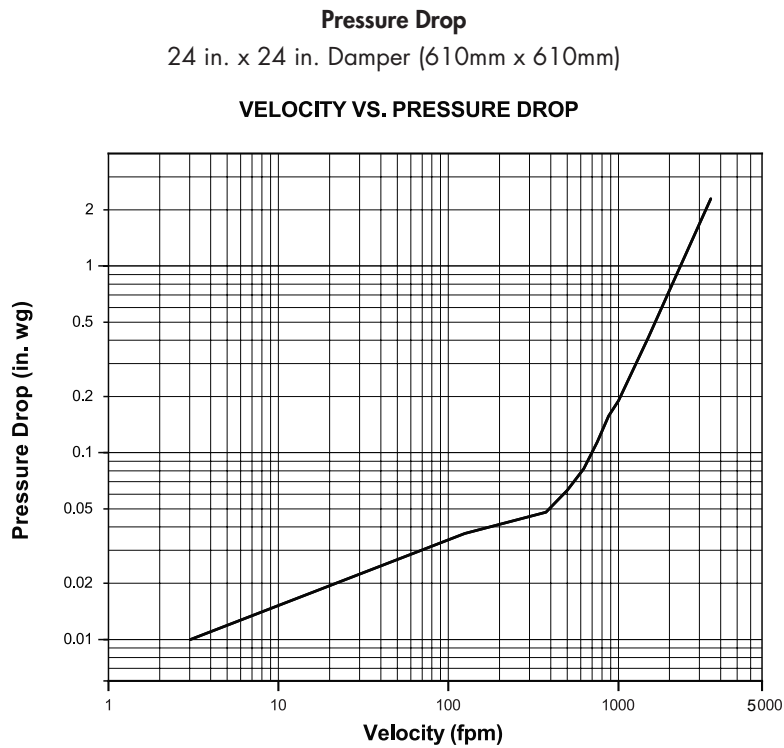
Model EM-30 series dampers with a width or height less than 24 in. (610mm) leak a maximum of:

- 35 cfm/ft² or less at 1.0 inches w.g.

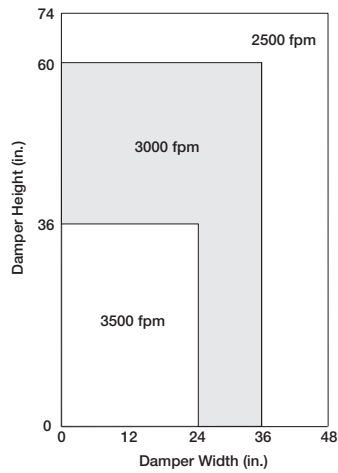
*Note: This model complies with the International Energy Conservation Code (IECC) and ASHRAE 90.1 leakage requirements for non-motorized dampers.

Air Performance

Performance data results from testing a 24 in. x 24 in. damper in accordance with AMCA Standard 500-D using Figure 5.5. All data has been corrected to represent standard air at 0.075 lb/ft³ (1.201 kg/m³).



Velocity Limitations



Operational Data (AMCA Figure 5.3)	ΔP in. wg (Pa)	
	Without Weights	With Weights
Blades Start to Open	0.03 (7.5)	0.01 (2.5)
Blades Fully Open	0.25 (62)	0.055 (13.7)

Operational Data (AMCA Figure 5.5)	ΔP in. wg (Pa)	
	Without Weights	With Weights
Blades Start to Open	0.025 (6.2)	0.01 (3)
Blades Fully Open	0.32 (8)	0.08 (20)