

The EM-10 series is a horizontally mounted backdraft damper that is designed to allow vertical airflow up and prevent reverse airflow. The damper is opened by air pressure differential and closed by gravity. Standard models include adjustable counterbalance to assist opening.

Ratings

Pressure

Up to 10 in. wg (2.5 kPa) differential pressure. For pressures over 10 in. wg, consult factory

Velocity

2500 to 3500 fpm (13 -18 m/s)

Temperature

180°F (82°C)

Construction

Construction	Standard	Optional
Frame Material	6063T5 Extruded Aluminum	-
Frame Thickness	.125 in. (3.2mm)	-
Blade Material	6063T5 Extruded Aluminum	-
Blade Thickness	.070 in. (1.8mm)	-
Axle Linkage	1/8 in. (3mm) plated steel	304SS
Bearings	Synthetic (acetal) sleeve type	-
Blade Seals	Vinyl	-

Options and Accessories

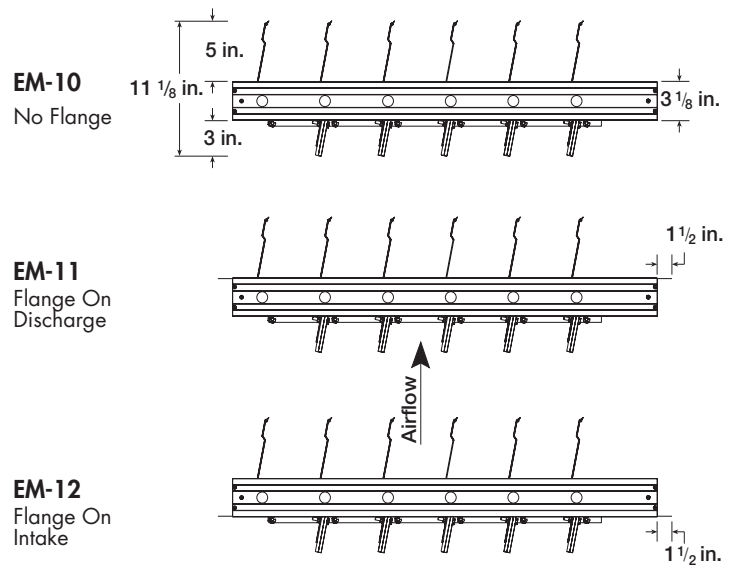
- 1 1/2 in. (38mm) flange on discharge: EM-11
- 1 1/2 in. (38mm) flange on intake: EM-12
- APC (Adjustable Pressure Controller). Allows field setting of relief pressure on all EM dampers. Use one per panel.
- Sleeves

Maximum recommended pressure set limitations are as follows:

Area ft ² (m ²)	Maximum Set Pressure in. wg (Pa)
4 (.37)	.75 (187)
6 (.56)	.50 (125)
8 (1.00)	.40 (100)
10 (.93)	.30 (75)
15 (1.39)	.20 (50)
20 (1.86)	.15 (37)
24 (2.23)	.125 (31)



*W & H dimensions furnished approximately 1/4 in. (6mm) under size.



W x H	Minimum Size	Maximum Single Section Size	Maximum Multi Section Size
Inches	8 x 11	48 x 74	144 x 148
mm	203 x 279	1219 x 1880	3658 x 3759

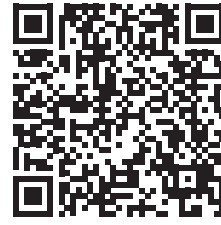
Sizes larger than maximum shown will be supplied as two or more equal size smaller dampers required to make up the size specified. These larger multiple damper assemblies require field assembly and may require additional reinforcement (not supplied by factory) to support the assembly.

Document Links

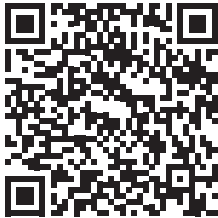
[Installation Instructions](#)



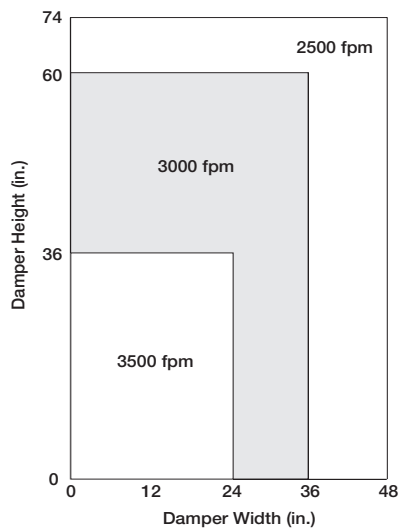
[Venco Product Catalog](#)



[Damper Warranty](#)



Velocity Limitations



Operational Data		ΔP in. wg (Pa)	Velocity fpm (m/s)
Dampers with standard bearings	Blades start to open	0.03 (7)	9 (.05)
	Blades fully open	0.12 (15)	750 (3.8)

Performance Data

Test Information

- Air leakage is based on operation between 32°F and 120°F (0°C and 48°C)
- Tests for air leakage were conducted in accordance with ANSI/AMCA Standard 500-D Figure 5.5, in the backdraft direction
- Air performance testing conducted in accordance with ANSI/AMCA Standard 500-D, Figure 5.7B

Air Leakage

Model EM-10 series dampers with a width and height 24 in. (610mm) or greater leak a maximum of:

- 12.3 cfm/ft² or less at 1.0 inches w.g.

Model EM-30 series dampers with a width or height less than 24 in. (610mm) leak a maximum of:

- 27.5 cfm/ft² or less at 1.0 inches w.g.

*Note: This model complies with the International Energy Conservation Code (IECC) and ASHRAE 90.1 leakage requirements for non-motorized dampers.

Air Performance

Performance data results from testing a 24 in. x 24 in. damper in accordance with AMCA Standard 500-D using Figure 5.7B. All data has been corrected to represent standard air at 0.075 lb/ft³ (1.201 kg/m³).

Pressure Drop

24 in. x 24 in. Damper
(610mm x 610mm)

VELOCITY VS. PRESSURE DROP

