

Application

The BD-300 is a vertical mount backdraft damper designed to allow horizontal airflow and prevent reverse airflow. The dampers are opened by air pressure differential and closed by gravity.

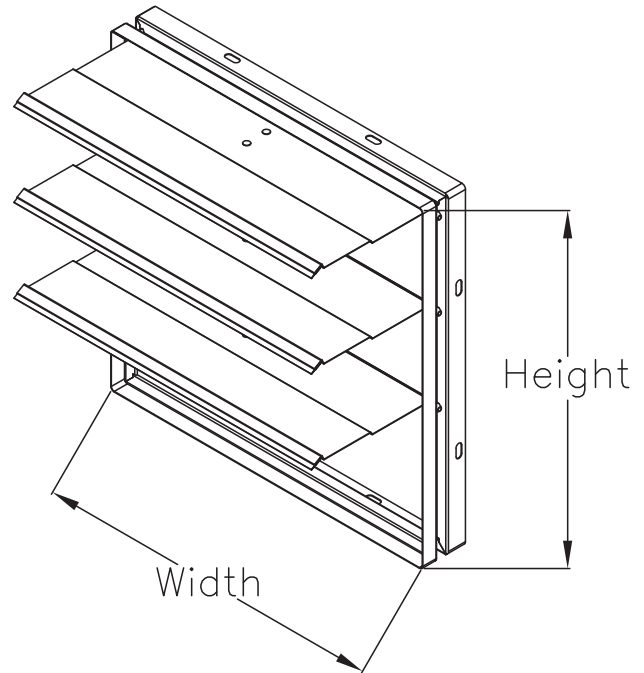
Ratings

Pressure: Up to 2.0 in. wg (0.5 kPa) - differential pressure

Velocity: Up to 1500 fpm (7 m/s)

Temperature: Up to 180°F (82°C)

Leakage: BD-300 series comply with the International Energy Conservation Code (IECC) and ASHRAE 90.1 leakage requirements for non-motorized dampers (see page 2)

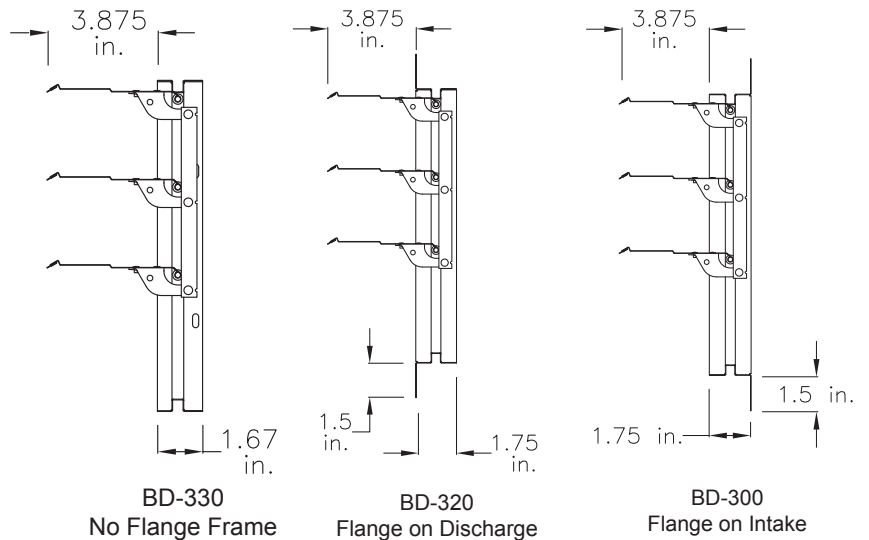


* W & H dimensions furnished approximately 1/8 in. (3mm) undersize.

Construction	Standard
Frame Material	Galvanized steel
Frame Thickness	24 ga. (0.7mm)
Frame Type	No flange (BD-330)
	Flange on intake (BD-300)
	Flange on discharge (BD-320)
Blade Material	Roll formed aluminum
Blade Thickness	0.016 in. (0.41mm)
Blade Seals	Vinyl
Axle/Axle Bearings	Synthetic
Paint Finishes	None

Size Limitations

W x H	Minimum Size	Maximum Size
		Single Panel
Inches	8 x 8	18 x 18
mm	203 x 203	457 x 457



Test Information

- Air leakage is based on operation between 32°F and 120°F (0°C and 48°C)
- Tests for air leakage were conducted in accordance with ANSI/AMCA Standard 500-D Figure 5.5, in the intake direction
- Air performance testing conducted in accordance with ANSI/AMCA Standard 500-D, Figure 5.5

Air Leakage

Model BD-300 series dampers leak a maximum of:

- 39 cfm/ft² or less at 1.0 inches w.g.*

*Note: This model complies with the International Energy Conservation Code (IECC) and ASHRAE 90.1 leakage requirements for non-motorized dampers.

Air Performance

Performance data results from testing a 18 in. x 18 in. damper in accordance with AMCA Standard 500-D using Figure 5.5. All data has been corrected to represent standard air at 0.075 lb/ft³ (1.201 kg/m³).

Pressure Drop

18 in. x 18 in. Damper
(457mm x 457mm)

VELOCITY VS. PRESSURE DROP

