

Backdraft Damper

Horizontal Mount - Vertical Airflow Up

Application

The BD-100 is a horizontal mount backdraft damper designed to allow vertical airflow up and prevent reverse airflow. The dampers are opened by air pressure differential (assisted by springs*) and closed by gravity. The primary application is with roof mounted exhaust fans.

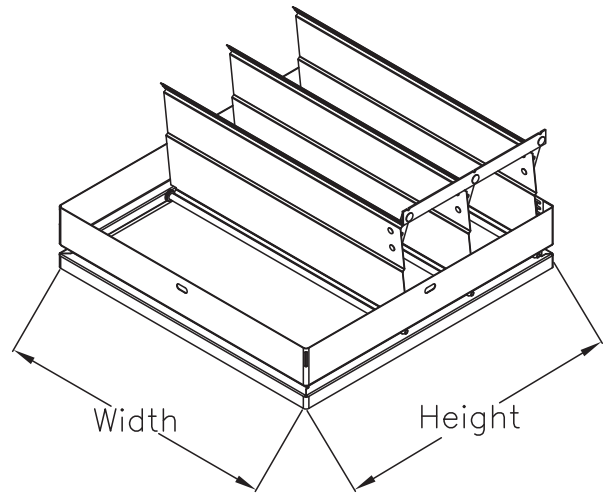
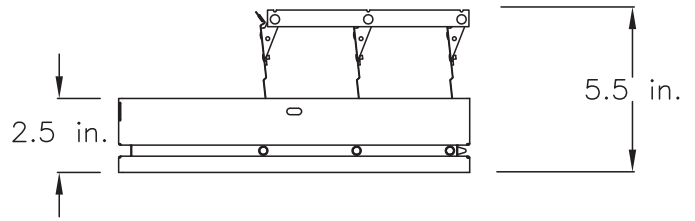
Ratings

Pressure: Up to 2.0 in. wg (0.5 kPa) - differential pressure

Velocity: Up to 1500 fpm (7 m/s)

Temperature: Up to 180°F (82°C)

Leakage: BD-100 series comply with the International Energy Conservation Code (IECC) and ASHRAE 90.1 leakage requirements for non-motorized dampers (see page 2)



* W & H dimensions furnished approximately 1/8 in. (3mm) undersize.

Construction	Standard
Frame Material	Galvanized steel
Frame Thickness	24 ga. (0.7mm)
Frame Type	No Flange
Blade Material	Roll formed aluminum
Blade Thickness	0.016 in. (0.41mm)
Blade Seals	Vinyl
Axle/Axle Bearings	Synthetic
Linkage Material	Galvanized steel
Paint Finishes	None

Size Limitations

W x H	Minimum Size	Maximum Size
		Single Panel
Inches	8 x 8	18 x 18
mm	203 x 203	457 x 457

* 12 in. x 12 in. (305mm x 305mm) and smaller

Test Information

- Air leakage is based on operation between 32°F and 120°F (0°C and 48°C)
- Tests for air leakage were conducted in accordance with ANSI/AMCA Standard 500-D Figure 5.7B, in the intake direction
- Air performance testing conducted in accordance with ANSI/AMCA Standard 500-D, Figure 5.7B

Air Leakage

Model BD-100 series dampers leak a maximum of:

- 39 cfm/ft² or less at 1.0 inches w.g.

*Note: This model complies with the International Energy Conservation Code (IECC) and ASHRAE 90.1 leakage requirements for non-motorized dampers.

Air Performance

Performance data results from testing a 18 in. x 18 in. (457mm x 457mm) damper in accordance with AMCA Standard 500-D using Figure 5.7B. All data has been corrected to represent standard air at 0.075 lb/ft³ (1.201 kg/m³).

Pressure Drop

18 in. x 18 in. Damper
(457mm x 457mm)

VELOCITY VS. PRESSURE DROP

