

Assembly Instructions

Please read and save these instructions for future reference. Read carefully before attempting to assemble, install, operate or maintain the product described. Protect yourself and others by observing all safety information. Failure to comply with these instructions will result in voiding of the product warranty and may result in personal injury and/or property damage.

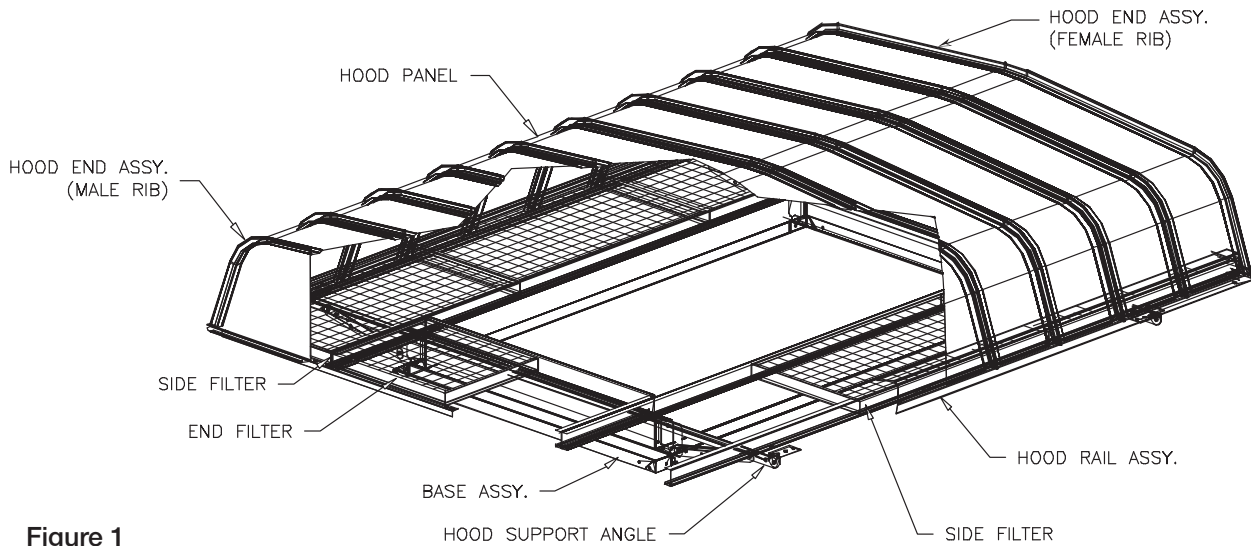


Figure 1

Step 1

Open the shipping crates and separate the parts according to the size of the unit, refer to Figure 1.

Step 2

Place the two BASE ENDS and the two BASE SIDES in their approximate relationship to each other, see Figure 2. Fasten together using three 1/4-20 fasteners per corner for 5 inch high base and four 1/4-20 fasteners per corner for 12 inch high base.

Note: Fasteners should be hand tightened only until step 4. On some units where the difference between the hood width and throat width is greater than 32 inches, a REINFORCING PLATE is required in the corners of the BASE, refer to Figure 2, Detail A.

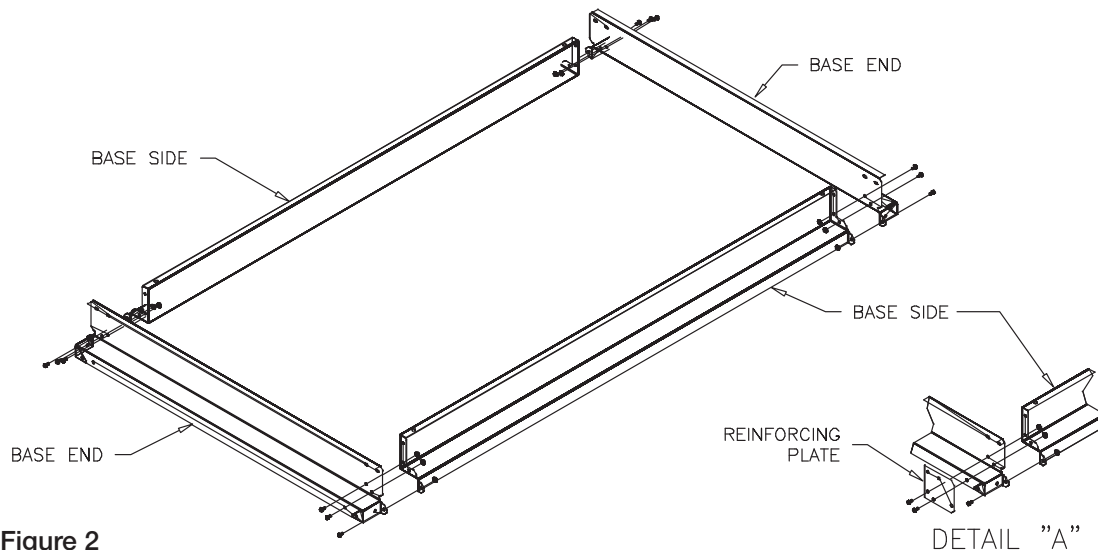


Figure 2

Step 3

Attach the HOOD SUPPORT ANGLE to the BASE ASSEMBLY (hand tight) using four 1/4-20 fasteners per angle, see Figure 3, Detail B.

On some units, two DIAGONAL BRACES come pre-attached to the HOOD SUPPORT ANGLE. Fasten the loose end of the DIAGONAL BRACES to the BASE ASSEMBLY using one 3/8-16 FASTENER per diagonal brace, see Figure 3, Detail C.

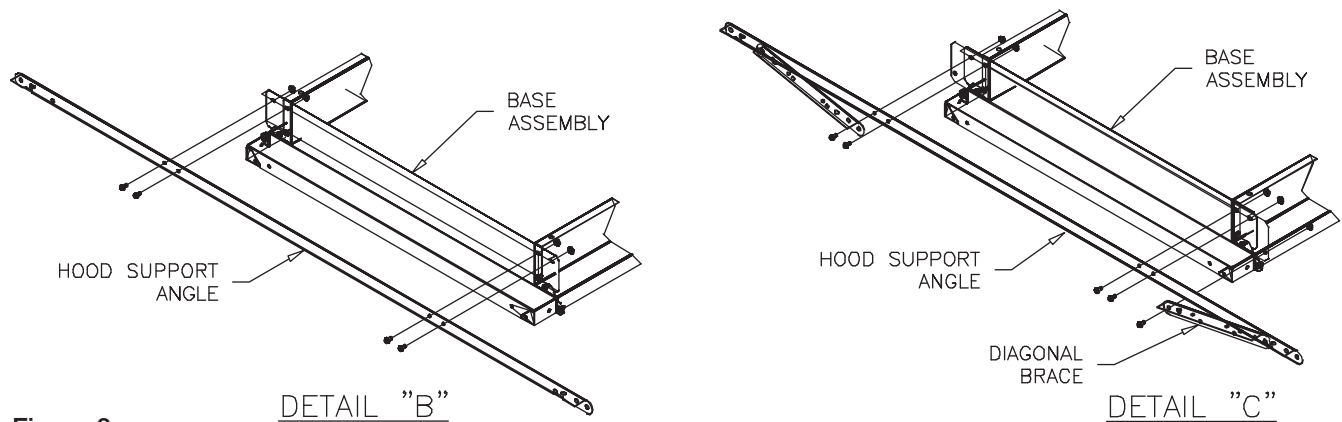


Figure 3

Step 4

Tighten all BASE, SIDE and BASE END fasteners. Caulk all inside corners where the base sections come together. At this point, the base may be lifted onto the roof curb before proceeding with further assembly.

Step 5

Attach the FILTER SIDE CHANNEL (hand tight) to the HOOD SUPPORT ANGLE and the FILTER SIDE CHANNEL ASSEMBLY (hand tight) to the BASE SIDE, using two 5/16 X 1 inch weldstud fasteners per channel, see Figure 4. Sandwich the END CLOSURE ANGLE between the BASE END and the SIDE FILTER CHANNEL ASSEMBLY, see Figure 4.

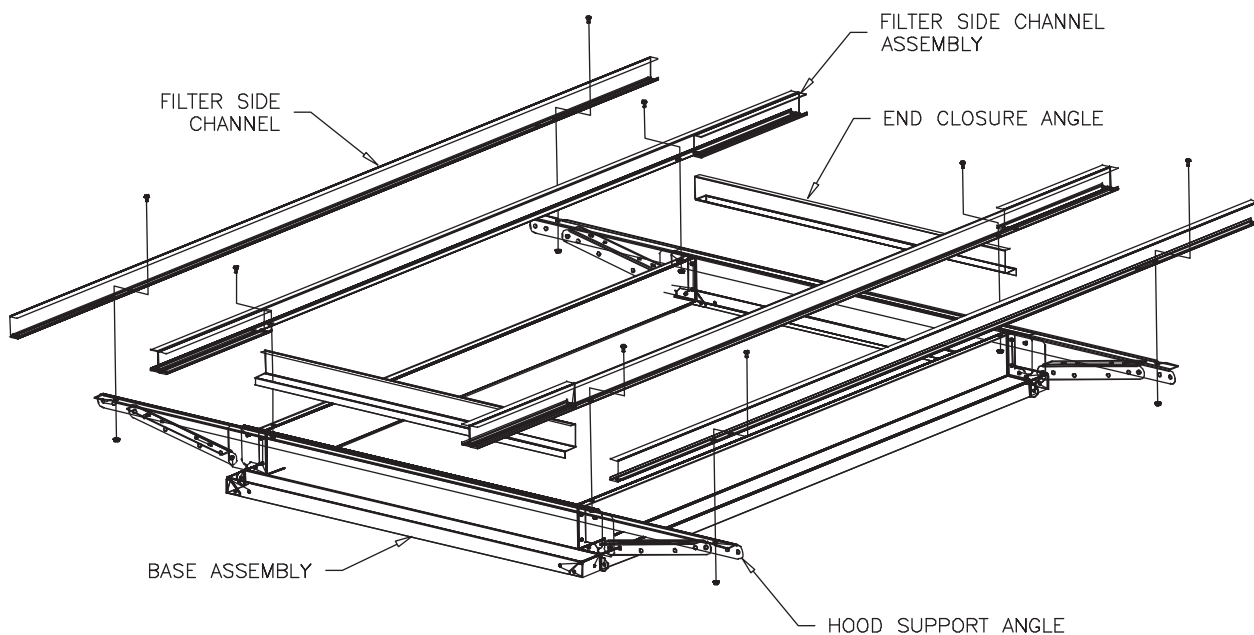


Figure 4

Step 6

Attach the END ANGLE (hand tight) to the ends of the SIDE FILTER CHANNEL ASSEMBLIES and SIDE CHANNELS using four 5/16 X 1 weldstud fasteners per END ANGLE, see Figure 5. In addition, units with throat widths greater than 36 inches will require FILTER END CHANNEL ASSEMBLIES, see Figure 5, Detail D. Fasten FILTER END CHANNEL ASSEMBLY (hand tight) to the END CLOSURE ANGLE and END ANGLE, using two 5/16 X 1 weldstud fasteners per assembly.

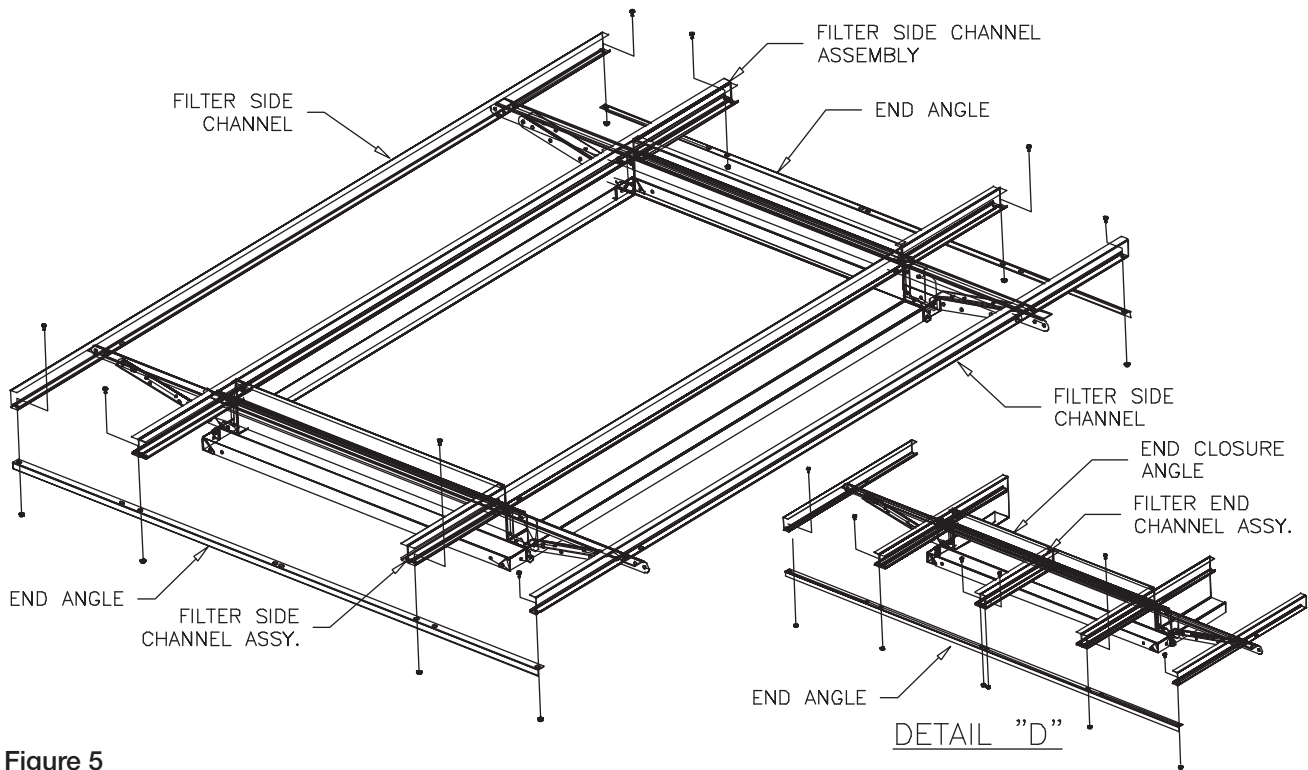


Figure 5

Step 7

Slide FILTERS in from both ends of unit. Tighten all FILTER CHANNEL and END ANGLE fasteners only after FILTERS are in place.

Step 8

Attach the HOOD RAIL ASSEMBLY to the HOOD SUPPORT ANGLES using 3/8 x 3/4 inch bolt with 3/8 inch Nyloc nut at each attachment point, see Figure 6.

NOTE: Fasteners should be hand tightened only until step 10.

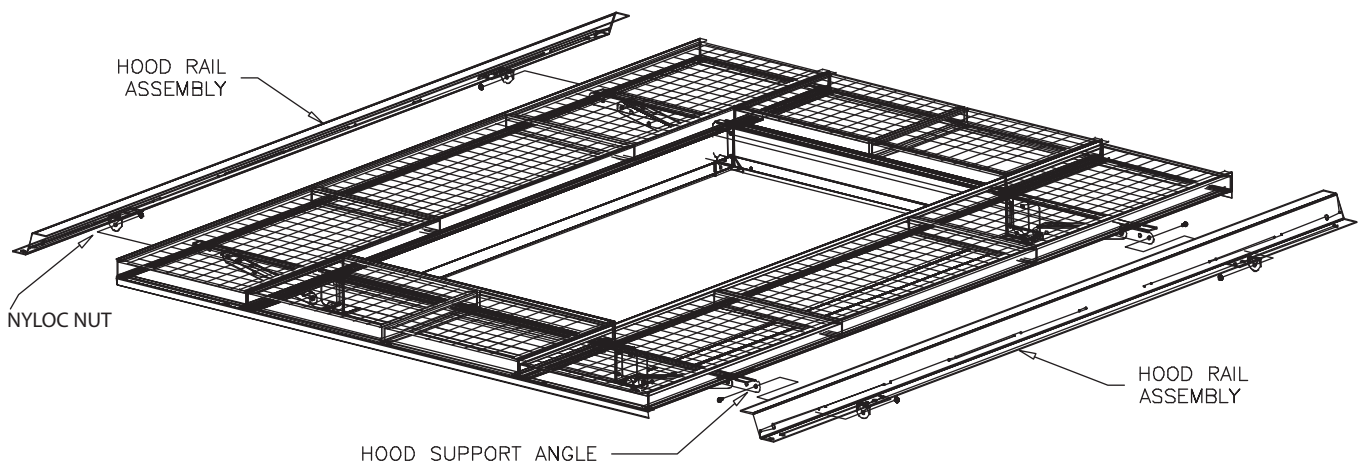


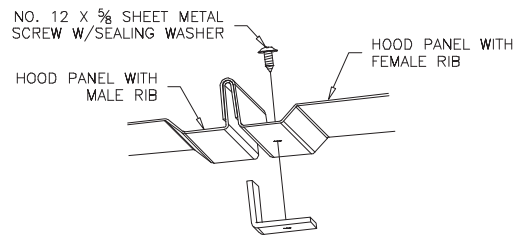
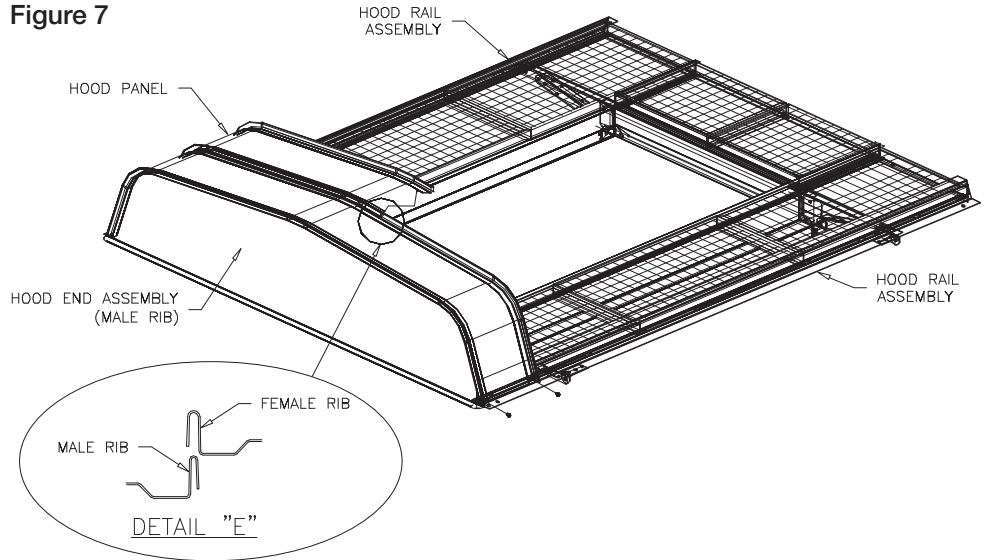
Figure 6

Step 9

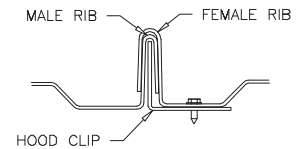
Assemble HOOD PANELS to HOOD RAIL ASSEMBLY. The HOOD END ASSEMBLY with the MALE RIB is to be installed first see Figure 7, Detail E. Place the remaining HOOD PANELS in place, interlocking panels as you go, see Detail E. Secure each HOOD PANEL to the HOOD RAIL ASSEMBLY as it is put in place using four 12 X 3/8 inch sheet metal screws with sealing washers per HOOD PANEL. The HOOD END ASSEMBLY with the FEMALE RIB is to be installed last.

NOTE: Hoods over 9 feet wide are supplied with special HOOD CLIPS. See Detail F. HOOD PANELS have predrilled holes for HOOD CLIP installation. Install CLIPS as HOOD PANELS are being put in place, using one 12 X 5/8 inch sheet metal screw with sealing washer per HOOD CLIP. To install CLIPS in the last panel, remove the end FILTERS to provide access to the underside of the hood. The FILTERS can be easily replaced after the hood is completely assembled.

Figure 7



DETAIL "F"



Step 10

Tighten all pivot bracket fasteners. **NOTE: There may be extra fasteners.**

Our Commitment

As a result of our commitment to continuous improvement, Venco reserves the right to change specifications without notice.



Phone: 1.833.881.0565 • Fax: 715.355.2399 • E-mail: info@vencoproducts.com • Website: www.vencoproducts.com